



Phone: 22541259/1359

Fax: 25534043

INDIAN INSTITUTE OF ASTROPHYSICS

IIND BLOCK, SARJAPUR ROAD, KORAMANGALA,
BANGALORE-560 034

PUBLIC TENDER NOTICE NO: PR/CIVIL/KKL/I&M/ 01 DATED 18.04.2012

The Director, Indian Institute of Astrophysics invites Quotations/Bids from reputed firms for Kitchen Equipment and accessories for newly renovated I & M Building at IIA, Kodaikanal Observatory, with the following specifications. The firm(s) interested in offering bids should have executed similar items/works.

Sl.No.	Description In Brief	Estimated Amount Rs.	E.M.D Rs.	Tender Fee Rs. (non-refundable)
01.	Supply & Installation of Kitchen Equipment and accessories for newly renovated I & M Building at IIA, Kodaikanal Observatory, (as per detailed specification mentioned in the Annexure I)	16,00,000/-	32,000/-	500/-

Note: (1) The Tender documents with Specification details are available on IIA website

www.iiap.res.in/tenders.htm. Hence the interested tenderers may at their option down

load the same from our website (as no hard copies of Tender documents is/are provided from this office) and submit their offers along with EMD (refundable) & Tender fee (non-refundable) prescribed therein, only in the form of Demand Draft drawn in favour of Director, Indian Institute of Astrophysics, Payable at Bangalore. However, your offers (both Technical & Commercial/price bids) should be sealed separately superscribed in a envelope mentioning the tender notice no., Date of opening, and submit both technical and commercial bids in another sealed envelope addressed in favour of Director, Indian Institute of Astrophysics, Bangalore - 560 034.

2. The firms who fulfil the following requirements shall be eligible to submit their Bids. Joint ventures are not acceptable.

(a) Tendering Company shall be professionally managed and equipped with facility for the supply and maintenance of tendered items.

(b) Tenderer should have completed, in the last 3 financial years (i.e., current year and two previous financial years) atleast one similar single work for a minimum value of Rs.14 lacs.

(c)The total contract amount received during the last 3 financial years, and the current financial year should be a minimum of 150% of the above mentioned value. The tenderer should submit Audited Balance Sheet duly certified by the Chartered Accountant to this effect. They should also submit Bankers Solvency Certificate to a minimum value of Rs.14 lacs.

(d) The Private Body Contractor shall be required to produce the TDS Certificate indicating the Income Tax deducted by the client for the extension of similar items, completed individually of value not less than Rs.14 Lakhs.

3. Technical/Commercial/price Bids supported by the above information should be submitted in a Sealed envelope duly superscribed with the name of work. The completed Bids will be received by this office upto 1500 Hrs. on 07.05.2012.

4. If any information furnished by the tenderers is found incorrect at a later stage, the firm shall be liable to be debarred from tendering and taking up of work in IIA. The Institute reserves the right to verify the particulars furnished by the tenderers.

5. There may be a meeting(pre bid meeting) on 30.04.2012 at IIAP, Koramangala, Bangalore-560034 for technical discussions, if any before submitting Bids. The interested tenderers may contact Mr.R.Ramachandra Reddy/Mr. M.V. Ramaswamy, Civil Engineers of the Institute with prior permission on or before 27.04.2012. The date of pre bid meeting, if scheduled, will be confirmed in the website.

6. The firms should submit both Technical and Commercial/Price bids separately superscribed along with EMD/Tender fee of prescribed amount upto 1500 Hrs. Latest by 07.05.2012. The technical bids will be opened in presence of the bidders or their authorized representatives at 1530 Hrs. on 07.05.2012.

7. Incomplete Technical Bids are liable for rejection.

8. Late & / delayed offer will not be considered.

9. IIA is not responsible for any delay / loss of documents in transit.

10. The technical Bids will be opened on **07.05.2012** at 1530 hours in the presence of bidders or their authorized representatives. The tenderers should bring authorization letter / identification while attending opening of tenders. **The price bids of the only technically qualified bidders will be opened with prior intimation to the technically qualified bidders.** The unopened price bids of the non qualified technical bidders will be returned along with EMD. The decision of the Institute is final regarding the opening of the price bids.

11. IIA reserves the right to reject any or all tenders without assigning any reasons.

Administrative



Phone: 25530672-676
Fax:
25534043
Grams: ASTRON

INDIAN INSTITUTE OF ASTROPHYSICS
IIInd Block, Koramangala, Bangalore-560 034

No.PR/CIVIL/KKL/I&M/ 01

Dated: 18.04.2012

M/s.

Dear Sirs,

The Director, Indian Institute of Astrophysics, Bangalore invites Sealed Tenders for the Supply & Installation of Kitchen Equipment and accessories for newly renovated I & M Building at IIA, Kodaikanal Observatory, detailed in the Tender Form hereto annexed. The Tender Terms enclosed are also may be noted carefully. If you are in a position to quote for the tender in accordance with the requirement, please submit your quotation in the attached Tender Form also.

Your Tender (Technical, Commercial & price Bids) must reach this office on or before the date and time indicated in the Tender Schedule.

Thanking you,

Yours faithfully,

Encl: as above.

(Dr. P.Kumaresan)
Admn. Officer
For Director

INDIAN INSTITUTE OF ASTROPHYSICS
BANGALORE-560 034

TENDER FORM

PUBLIC TENDER DOCUMENT NO:PR/CIVIL/KKL/I&M/ 01 DT:18.04.2012

FROM:

TO

THE DIRECTOR,
Indian Institute of Astrophysics., Bangalore-560 034.

Sir,

I/We hereby offer to supply the stores indicated below at the price hereunder quoted and agree to hold this offer open till _____. I/We shall be bound to supply the store hereby offered upon the issue of the Purchase Order communicating to the acceptance thereof on or before the expiry of the last mentioned date. You are at liberty to accept any one or more of the items of such stores. I/We notwithstanding that the offer in this tender has not been accepted in whole, shall be bound to supply such items and such portion or portions of one or more of the items as may be specified in the said Purchase Order communicating the acceptance.

Sl.No.	Description of the item(s)	Quantity	Unit	Rate	Dely. Period
--------	----------------------------	----------	------	------	--------------

01.	Supply & Installation of Kitchen Equipment and accessories for newly renovated I & M Building at IIA, Kodaikanal Observatory (as per detailed specification mentioned in the Annexure I)				
-----	--	--	--	--	--

Place at which the Delivery is required : I & M Building at IIA, Kodaikanal

Date by which the supplies are required : Within 04 weeks FDO.

2. I/We have understood the items of the tender annexed to the invitation to this Public Tender and have thoroughly examined the specifications/drawing and /or pattern quoted or referred to herein and/are fully aware of the nature of the stores required and my/our offer is to supply the stores strictly in accordance with the requirements subject to the terms and conditions contained in the Purchase Order, if communicated on the acceptance of this tender either in whole or in part.

Date:

Signature and seal of Tenderer

BILL OF MATERIALINDIAN INSTITUTE OF ASTROPHYSICS

KITCHEN EQUIPMENT FOR NEWLY RENOVATED I & MBUILDING AT I.I.A.
KODAIKANAL

Sl. No.	DESCRIPTION	Quantity	Rate in words and figures (Rs.)	Amount (Rs.)
1	SS Three burner cooking platform, measuring 66x20x24	1		
2	Single sink washing unit OAS 24x24x34, sink size 16x16x10	1		
3	Dosa platform with 20MM MS plate with SS Splash guard with 2 Nos RV burner, with SS front panel and 1 SS U/S, measuring 24x51x30.	1		
4	Work table with granite top, 2 U/S OAS 60x24x34			
5	Work table with sink and splash guard OAS 48x24x34(+6) sink size 16x16x8	1		
6	Work table with granite top 2 U/S OAS 60x24x34	1		
7	Work table with 2 U/S and 2 OHS OAS 60x24x34 (16+10)	1		
8	4 Door Vertical Refrigeration 600 ltrs. capacity full SS OAS 48x24x72	1		
9	Storage Rack with 5 shelves OAS 48x24x60	1		
10	Rack with 5 shelves OAS 72x24x60	1		
11	Work table with 2 U/S OAS 48x24x34	1		

Sl. No.	DESCRIPTION	Quantity	Rate in words and figures (Rs.)	Amount (Rs.)
12	Single sink washing unit OAS 24x24x34, sink size 16x16x10	1		
13	Pot Rack with 5 shelves OAS 48x24x60	1		
14	Cutlery Rack with 5 shelves OAS 60x24x60	1		
15	Work table with granite top 2 U/S OAS 60x24x34	1		
16	Soiled Dish landing table with chute OAS 36x24x34	1		
17	Two sink washing unit OAS 48x24x34 sink size 16x16x10 with OHS (16+10)	1		
18	Portable tandoor - charcoal operated with 16" opening , OAS 36X36X36	1		
19	Work table with 1 U/S OAS 36x18x34	1		
20	Wet grinder 5Ltr capacity with 0.5 HP Motor	1		
	Wet Grinder 8 Ltr capacity with 1 HP Motor	1		
21	Mobile Onion Bin/Potato Bin SS wire finish with lockable top lids and collection pan at bottom, 600X600X750	1		
22	Floor Drain Grating 1200 X300	4		
	Conveyor Toaster - 150 slices per hour	1		
	Juice Extractor - with SS body - 1/2 HP Capacity	1		
	SS dish trolley with 4 Nos bins OAS 18x30x30	2		
	Sandwitch Griller, OAS 12X11X10 (Single)	1		

Sl. No.	DESCRIPTION	Quantity	Rate in words and figures (Rs.)	Amount (Rs.)
	Masala trolley with 12 containers of 1 ltr cap made out of SS	1		
	<u>FUME EXHAUST SYSTEM</u>			
1	Centrifugal blower, 3 hp motor, 4700 cfm 1440 RPM	1		
2	Hoods made out of SS 202 grade 20 SWG with filter.Hoods size 48/36/24	1		
3	Hoods made out of SS 202 grade 20 SWG with filter.Hoods size 60/36/24	1		
4	Hoods made out of SS 202 grade 20 SWG with filter. Hoods size 72/36/24	1		
5	Fabrication and supply of GI ducting made out of 22 swg in sq mtrs (Approx)	60		
6	Fabrication and supply of volume control dampers	4		
7	System erection charges with necessary supports and fasteners	L.S.		
	<u>FRESH AIR SYSTEM</u>			
1	Centrifugal blower, 1.5 hp motor, 2500 cfm 1440 RPM	1		
2	Aluminium Grills	10		
3	G.I.Ducting (in sq mtrs) Approx	30		
4	Fresh air intake filters and filter fixing hopper (in sets)	1		
5	System erection charges with necessary supports and fasteners	L.S		
	<u>LPG Manifold System</u>			
	2x4 Manifold with pigtail and F valve	1		

Sl. No.	DESCRIPTION	Quantity	Rate in words and figures (Rs.)	Amount (Rs.)
	Cylinder Adaptor	8		
	High Pressure Regulator (Vanaz)	1		
	Pressure guage	1		
	Connecting hose with brass adaptor	1		
	Double bottle connector	1		
	Main valve cast steel 1/2" quarter turn	2		
	Fire Extinguisher 3.2 kg capacity	1		
	Tata C class 1/2" Pipeline (in feets)	80		
	Needle Control Valve 3/8 x 3/8	2		
	SS Flexiable Hose	2		
	Spares and fittings	L.S.		
	Installation Charges	L.S		
GRAND TOTAL IN RS.				

(Grand Total Amount in Words Rs.....)

.....)

Date:

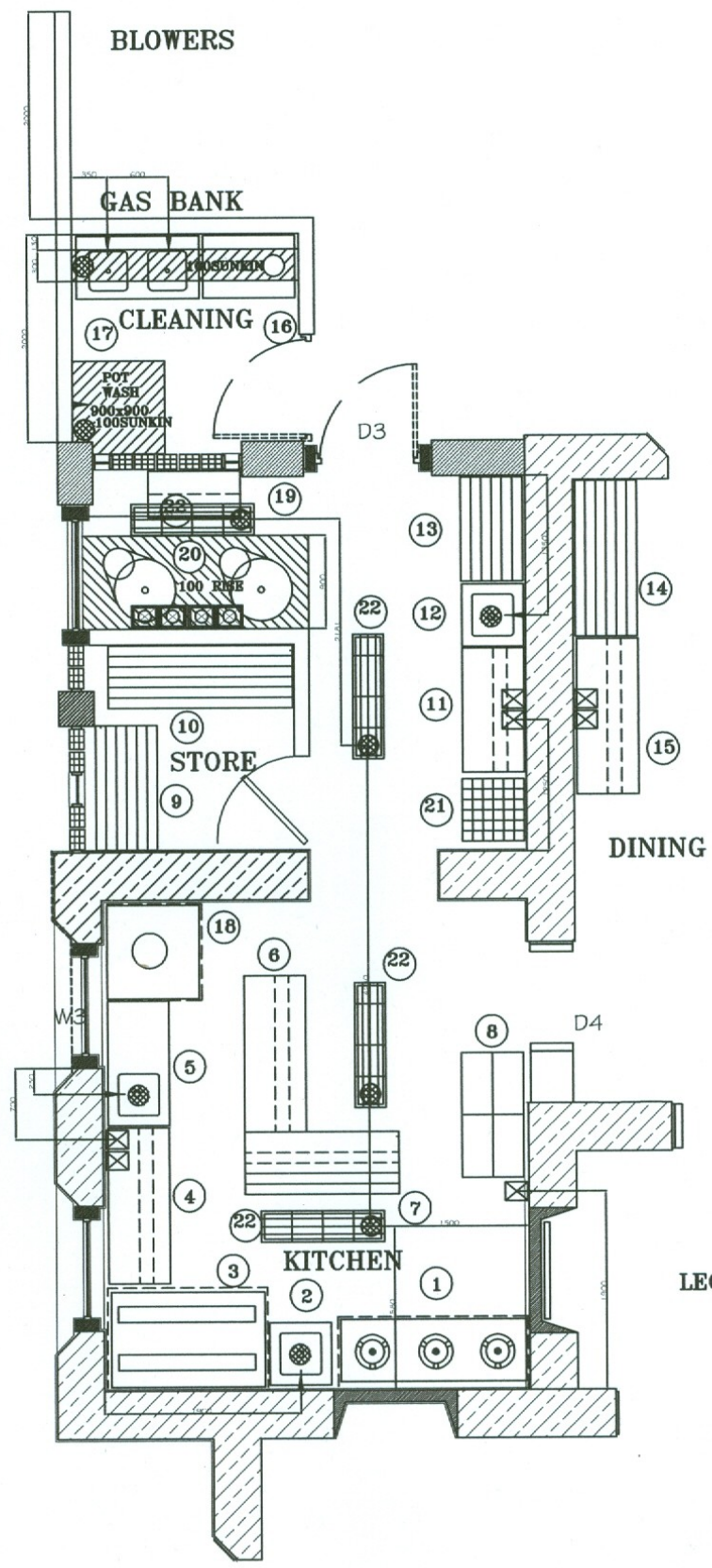
Signature and seal of the contractor

Place:

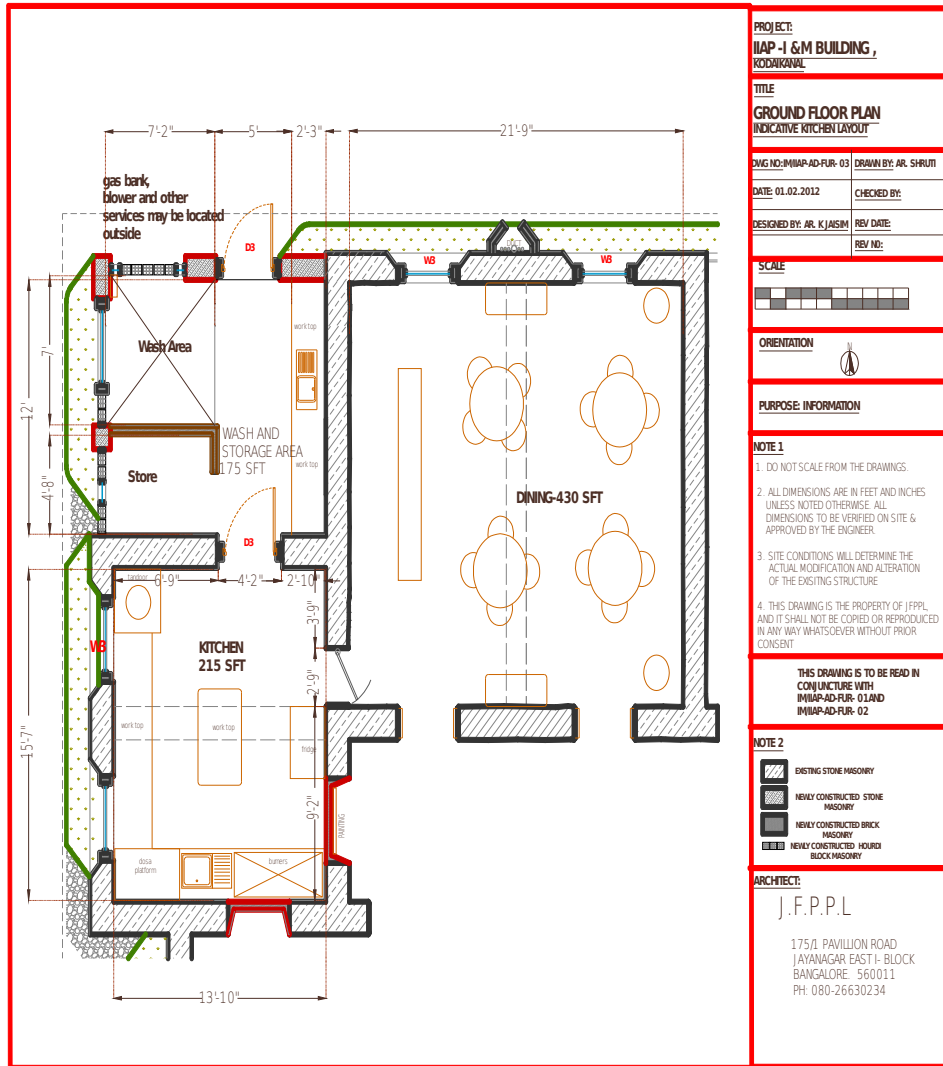
MATERIAL SPECIFICATION

01. Stainless steel sheet shall be of 304 grade and 18SWG unless otherwise specified.
02. All S.S. verticible shall be of 1 ½” dia, 202 grade, schedule 10, and cross bracings shall be of ½” dia.
03. All electrical motors shall be of standard make (Brand name to be specified).
04. All heating coils shall be of standard make (Brand name to be specified).
05. The equipments shall have No.4, mat finish and all welding joints to be grounded.
06. Refrigeration equipments shall have puff insulation and inner SS frame work and compressor of standard make (Brand name to be specified).
07. The equipments shall carry One Year Warranty against manufacturing defects.
08. Test certificate for the LPG line to be issued together with the pipeline drawing.

**PROPOSED KITCHEN EQUIPMENT LAY-OUT FOR
M/S AUSTROPHYSICS OBSERVATORY GUEST HOUSE AT
KODAIKANAL**



- LEGEND:**
- ▶ WATER INLET AT 1125 HEIGHT
 - ⊗ DRAIN-P/S TRAP
 - ⊗ 220V SUPPLY 5/15 MULTI SOCKET AT 1500 HEIGHT
 - ⊗ 440V SUPPLY DOL STARTER AT 1500 HEIGHT
 - ▨ DRAIN-P/S TRAP AT 100 BELOW FFL



Annexure - II

INSTRUCTIONS TO TENDERERS

1. Tenders should be sent in sealed and superscribed envelopes with mention of Tender No. date and date of opening.

2. Late and Delayed Tender will not considered at all.

3. Duties, Taxes where legally leviable and intended to be claimed should be distinctly shown separately in the Tender.

4. As a Govt. of India Department, this office is exempted from the payment of Octroi Duty and similar local levies (but not providing any C or D forms). Tenderers shall ensure that necessary exemption certificates are obtained from the officer concerned to avoid any payment of such levies.

5. a) Your quotation should be valid for 120 days from the date. of opening of tender.

b) Prices are required to be quoted accordingly to the units indicated in the annexed tender form. When quotations are given in terms of units other than those specified in the tender form, relationship between the two sets of units must be furnished.

6. Preference will be given to those tenders offering supplies from ready stocks and on the basis of F.O.R Destination/Free door delivery at Site.

7.a) All available Technical Literature(s), Catalogue(s) and other data in support of the specifications and details of the item(s) should be furnished along with the offer.

b) Samples, if any, called for, should be submitted free of all charges by the tenderer and the Purchaser shall not be responsible for any loss or damage thereof due to any reason whatsoever. In the event of non-acceptance of tender, the tenderer shall have to remove the samples at his own expense.

c) Approximate net and gross weight of the items offered shall be indicated in your offer. If dimensional details are available the same should indicated in your offer.

d) SPECIFICATIONS:

Stores offered should strictly conform to our specifications. Deviation, if any should be clearly indicated by the tenderer in their quotation. The tenderer should also indicate the Make/type No. of the stores offered and provide catalogue(s), Technical literature(s) and sample(s), wherever necessary along with the quotations. Test certificates wherever necessary should be forwarded along with the supplies. Whenever options are called for in our specifications, the tenderer should address all such options. Wherever specifically mentioned by us the tenderer could suggest changes to specifications with appropriate response for the same.

1. The purchaser shall be under no obligation to accept the lowest or any tender

- and reserves the right of acceptance of the whole or any part of the tender or portion of the quantity offered and the tenderers shall supply the same at the rates quoted.
2. Corrections, if any, must be attested. All amounts shall be indicated both in words as well as in figures. Where there is difference between amounts quoted in words and figures, amount quoted in words shall prevail.
 3. The Tenderer should supply along with the tender, the name of his bankers as well as the latest Income Tax Clearance Certificate duly countersigned by the Income Tax Officer of the circle concerned under the seal of his office.
 4. The Purchaser reserves the right to place order on the successful tenderers for additional quantity upto 25% of the quantity offered by them at the rates quoted.
 5. The authority of the person signing the tender, if called should be produced.
 6. Complete system configuration and sub-system design details should have approval of the purchaser before actual fabrication or procurement process.
 7. A complete set of instruction and operation manual should be supplied at the time of installation.
 8. Final performance should be guaranteed at the site.

TERMS AND CONDITIONS OF CONTRACT

1. DEFINITIONS:

- a). The terms 'Purchaser' shall mean the Director, Indian Institute of Astrophysics, Bangalore-560 034.
- b). The term 'Contractor' shall mean, the person, firm or company with whom or with which the order for the supply of stores is placed and shall be deemed to include the Contractor's successors, representative, heirs, executors and administrators unless excluded by the contract.
- c). The 'Stores' shall mean that contractor agrees to supply and Install under the contract as specified in the Purchase Order including erection of Plants and machinery and subsequent testing, should such a condition be included in the Purchase Order.
- d). The terms 'Purchase Order' shall mean the communication signed on behalf of the Purchaser by an officer duly authorized intimating the acceptance on behalf the Purchaser on the terms and conditions mentioned or referred to in the said communications accepting the tender or offer of the contractor for supply of stores or plant, machinery or equipment or part thereof.

2. PRICES:

Tenders, offering firm prices will be preferred, where a price variation clause is insisted upon by a tenderer, quotations with a reasonable ceiling should be submitted. Such offers should invariably be supported by the base price taken into account at the time of tendering and also the formula for any such variations.

3. SECURITY DEPOSIT:

On acceptance of Tender, the Contractor shall, at the option of the Purchaser and within the period specified by him deposit with him in cash or any other form as the Purchaser may determine, Security deposit not exceeding ten percent of the value of the contract as the Purchaser shall specify. If the contractor is called upon by the purchaser to deposit 'Security' and the contractor fails to provide the security within the period specified, such failure shall constitute a breach of the contract and purchase shall be entitled to make other arrangements for the re-purchase of the stores contracted for at the risk of contractor in terms of sub-clause (ii) and (iii) of clause 10 (b) hereof and/or to recover from the contractor damages arising from such cancellation.

4. GUARANTEE AND REPLACEMENT:

- a) The contractor shall guarantee that the stores supplied shall comply fully with the specifications laid down, for material workmanship and performance.

b) For a period of (12) twelve months after the acceptance of the stores, if any defects are discovered therein or any defects therein found to have developed under proper use arising from faulty stores, design or workmanship, contractor shall remedy such defects at his own cost provided he is called upon to do so within a period of 14 months from the date of acceptance thereof by the purchaser who shall state in writing in what respect the store or any part thereof are faulty.

c) If in the opinion of the purchaser, it becomes necessary to replace or renew any defective stores such replacement or renewal shall be made by the Contractor free of all costs to the purchaser provided the notice informing the contractor of the defect is given by the purchaser in this regard within the said 14 months from the date of acceptance thereof.

d) Should the contractor fail to rectify the defects, the purchaser shall have the right to reject or repair or replace at the cost of the contractor the whole or any portion of the defective stores.

e) The decision of the purchaser, notwithstanding any prior approval of acceptance or inspection thereof on behalf of the purchaser, as to whether or not the stores supplied by the contractor are defective or any defects has developed within the said period of 12 months or as to whether the nature of the defectives required renewal or replacement shall be final, conclusive and binding on the contractor.

f) To fulfill guarantee conditions outlined in Clause 5(a) to (d) above, the contractor shall, at the option of the purchaser, furnish a Bank Guarantee (as prescribed by the purchaser) from a Bank approved by the purchaser for an amount equivalent to 10% of the value of the contract along with first shipment documents. On the performance and completion of the contract in all respects, the Bank Guarantee will be returned to the contractor without any interest.

g) All the replacement stores shall also be guaranteed for a period of 12 months from the date of arrival of stores at Purchaser's site.

h) Even while the 12 months guarantee applied to all stores in case where a greater period is called forth by our specifications then such a specification shall apply; in such cases the period of 14 months referred to in Para 5(b) and (c) shall be 'asked for' guarantee period plus two months.

5. PACKING, FORWARDING AND INSURANCE:

The Contractor will be held responsible for the stores being sufficiently and properly packed for transport by rail, road, sea or air, to withstand transit hazards and ensure safe arrival at the destination. The packing and marking of packing shall be done by and at the expenses of the contractor. The Purchaser will not pay separately for transit insurance, all risks in transit being exclusively of the contractor and the Purchaser shall pay only for such stores as are actually received in good condition, in accordance with contract.

6. TEST CERTIFICATE:

Wherever required Test Certificate should be sent along with the relevant dispatch documents.

7. ACCEPTANCE OF STORES:

- a) The Stores shall be tendered by the contractor for inspection at such places as may be specified by the purchaser at the Contractor's own risk, expenses and cost.
- b) It is expressly agreed that the acceptance of stores, contracted for is subject to final approval by the Purchaser, whose decision shall be final.
- c) If, in the opinion of the Purchaser all or any of the stores that do not meet the performance or quality requirements specified in the Purchase Order, they may be either rejected or accepted at the price to be fixed by the purchaser and his decision as to rejection and the prices to be fixed shall be final and binding on the contractor.
- d) If the whole or any part of the store supplied are rejected in accordance with Clause No.8 (c) above, the Purchaser shall be at the liberty, with or without notice to the Contractor, to purchase in the open market at the expenses of the Contractor, stores meeting the necessary performance and quality contracted for in place of these rejected, provided that either the purchase, or the agreement to purchase, from another supplier is made within six months from the date of rejection of the stores as aforesaid.

8. REJECTION OF STORES:

Rejected Stores will remain at the destination at the Contractor's risk and responsibility, if instructions for their disposal are not received from the Contractor within a period of 14 days from the date of receipt of the advice or rejection, the Purchaser or his representative has, at his discretion the right to scrap or seal or consign the rejected stores to the Contractor's address at the Contractor's entire risk and expense, freight being payable by the Contractor at actuals.

9. DELIVERY PERIOD:

- a) The delivery period of the stores stipulated in the Purchase order shall be deemed to be the essence of the Contract, and delivery must be completed on or before the specified dates/period.
- b) Should the Contractor fails to deliver the stores or any consignment thereof within the period prescribed for such delivery, the Purchaser shall be entitled at his option either.
 - i) to recover from the Contractor as agreed liquidated damages and not by way of penalty, a sum of 2% of the price of any stores which the contractor has failed to deliver as aforesaid for each month or part of a month, during which the delivery of such stores may in arrears, or
 - ii) to purchase elsewhere, without notice to the Contractor on the account and at the risk of the contractor, the stores not delivered or others of similar description (where other exactly complying with the particulars are not, in the opinion of the purchaser readily procurable, such opinion being final) without canceling the Contract in respect of the consignment(s) not yet due for delivery or,

iii) to cancel the contract or a portion thereof, and, if so desired to purchase or authorize the purchase of stores not so delivered or others of similar description (where others exactly complying with the particulars are not, in the opinion of the purchaser readily procurable, such opinion final) at the risk and cost of the Contractor.

In the event of action being taken under sub-clause (ii) and (iii) of clause 10 above, the Contractor shall be liable for any loss which the Purchaser may sustain on that account, provided that the re-purchase, or, if there is an agreement to re-provide shall be made within (6) six months from the date of such failure. But the Contractor shall not be entitled to any gain on such re-purchase made against default. It shall not be necessary for the purchaser to serve a notice of such re-purchase on the defaulting Contractor. This right shall without prejudice to the right of the purchase to recover damages for breach of contract by the Contractor.

10. EXTENTION OF DELIVERY TIME:

As soon as it is apparent that Contractor delivery period / dates cannot be adhered to, an application shall be sent by the Contractor to the Purchaser. If failure, on the part of the Contractor to deliver the stores in proper time shall have arisen from any cause which the Purchaser may admit as reasonable ground for an extension of the time (and his decision shall be final he may allow such additional time as he considers it to be justified by the circumstances of the case without prejudice to the Purchaser's rights to recover liquidated damages under clause 10(i)(ii) and (iii).

11. PAYMENT:

Contractor's Bill will be passed only after the stores have been received, inspected and accepted by the Purchaser for payment.

12. RECOVERY OF SUMS DUE:

Whenever there is a breach of contract whether liquidated or not, money arising out of or under this contract against the contract, the Purchaser shall be entitled to recover such sum by appropriating, in part or whole, the security deposited by the Contractor, if a Security is taken against the contract. In the event of the Security being insufficient or if no security has been taken from the Contractor, then the balance or the total sum recoverable as the case may be shall be deducted from any sum then due or which at any time thereafter may become due to the contractor under this or any other contract with the Purchaser. Should this sum be not sufficient to cover the full amount recoverable, the Contractor shall pay to the Purchaser on demand the remaining balance due. Similarly, if the purchaser has or makes any claims, whether liquidated or not, against the Contractor under any other contract with the purchaser, the payment of all moneys payable under the contract to the Contractor including the Security Deposit shall be withheld till such claims of the Purchaser are finally adjudicated upon and paid by the Contractor.

13. INDEMNITY:

The Contractor shall warrant and be deemed to have warranted that all stores supplied against this contract are free and clean of infringement of any patent, copy right or trade mark, and shall at all time indemnify the purchaser against all claims which may be

made in respect of the stores for infringement of any right protected by patent, registration of design or trade mark and shall take all risk of accidents of damage which may cause a failure of the supply from whatever cause arising and the entire responsibility for sufficiency of all the means used by him for the fulfillment of contract

14. ARBITRATION:

In the event of any question, dispute or difference arising under these conditions contained in the purchase order in connection with this contract, (except as to any matters the decision of which is specially provided for by these conditions), the same shall be referred to the sole arbitration of the Head of the Institution or of some other person appointed by him. It will be no objection that the arbitrator is a Government Servant, that he has to deal with matter to which the Contract relates or that in the course of his duties as Government Servant he has expressed views on all or any of the matters in dispute binding on the parties of this Contract.

(a) IT IS TERMS OF THIS CONTRACT:-

If the Arbitrator be the Head of the Institution,

i) in the event of his being transferred or vacating his office by resignation or otherwise, it shall be lawful for his successor-in-office either to proceed with the reference himself, or to appoint another person as arbitrator, or,

ii) in the event of his being unwilling or unable to act for any reason, it shall be lawful for the Head of the Institution, to appoint another person as arbitrator or,

(b) If the Arbitrator be a Person appointed by the Head of the Institution :-

In the event of his death, neglecting or refusing to act, or resigning or being unable to act for any reason, it shall be lawful for the Head of the Institution either to proceed with reference himself or to appoint another person as arbitrator in place of the outgoing arbitrator. Subject as aforesaid, the Arbitration Act, +1940 and the rules there under and any statutory modifications thereof for the time being in force shall be deemed to apply to the arbitration proceedings under this clause. The Arbitrator shall have the power to extend with the consent of the Purchaser and the Contractor the time for making a publishing the award. The venue of Arbitration shall be the place as the Purchaser. In his absolute discretion may determine. Work under the contract shall if reasonably possible, continue during Arbitration proceedings.

15. COUNTER TERMS AND CONDITIONS OF SUPPLIERS:

Where Counter Terms and Conditions/printed or cyclostyled conditions have been offered by the Supplier, the same shall not be deemed to have been accepted by the Purchaser, unless specific written acceptance thereof is obtained.

16. SECURITY FOR PURCHASER'S MATERIAL(S):

Successful Tenderer will have to furnish in the form of a Bank Guarantee or any other form as called for by the Purchaser towards adequate security for the materials/property provided by the Purchaser for the due execution of the Contract.
