

INDIAN INSTITUTE OF ASTROPHYSICS

**2nd BLOCK, KORAMANGALA,
BENGALURU – 560034.**

TENDER DOCUMENT

***Name of Work:* Construction of toilet for public outreach programme, foundation and base work for four wheeler parking and miscellaneous works at VBO, IIA, Kavalur.**

Tender Notice No.: 17/IIA/CIVIL/VBO/KAVALUR/2017-18 Dated 02.03.2018

INDIAN INSTITUTE OF ASTROPHYSICS

Ph.080-2554 1200/1259/1359 , Fax: 25534043 Website: www.iiap.res.in



INDIAN INSTITUTE OF ASTROPHYSICS

2ND BLOCK, KORAMANGALA,

BENGALURU-560 034

Tender Notice No. : 17/IIA/CIVIL/VBO/KAVALUR/2017-18 Dated 02.03.2018

The Director, Indian Institute of Astrophysics invites sealed item rate tenders in the prescribed format for the following work from appropriate registered contractors in state PWD, CPWD, MES, Scientific institutions and private body contractors who have executed works of similar nature.

Sl. No.	Name of the work	Estimated cost in Rs.	Time for completion	EMD Rs.	Cost of tender document Rs.
1.	Construction of toilet for public outreach programme, foundation and base work for four wheeler parking and miscellaneous works at VBO, IIA, Kavalur.	17,19,416/-	05 Months	50,000/-	1,000/-

The Tender Document can be viewed and downloaded from our website www.iiap.res.in/tenders.htm. The interested tenderers may at their option download the same, as **“NO” hard copies of Tender document shall be provided from this office** and submit their offers along with EMD (refundable) & Tender fee (non-refundable) prescribed therein, only in the form of Demand Draft drawn in favor of **“Indian Institute of Astrophysics”** payable at Bangalore. The DD shall be valid for a period of forty five days beyond the date of opening of bids.

The Offers containing complete tender document duly filled with price (Bill of Quantities) and complete credentials including experience certificates should be submitted in sealed cover superscribing the envelope with **“Construction of toilet for public outreach programme, foundation and base work for four wheeler parking and miscellaneous works at VBO, IIA, Kavalur”**. Notice No. and due date”, shall be submitted addressed to **The Director, Indian Institute of Astrophysics, 2nd Block, Koramangala, Bengaluru– 560 034. The last date of submission of bid is 27.03.2018 on or before 15:00 hrs.** The bids will be **opened at 15:30 hrs on the same day** in the presence of attending tenderers or their authorized representatives.

ELIGIBILITY CRITERIA

The firms who fulfill the following requirements shall be eligible to submit their bids. Joint ventures are not acceptable.

- (i) Tendering Company shall be professionally managed and resourceful for taking up similar jobs.

(ii) The experience of having successfully completed similar work during last 5 years as on 31.03.2017 should be either of the following:

a) Three similar completed works costing not less than the amount equal to 40% of the estimated cost.

OR

b) Two similar completed works costing not less than the amount equal to 50% of the estimated cost.

OR

c) One similar completed work costing not less than the amount equal to 80% of the estimated cost.

(iii) The tenderer should have **executed similar construction of works at Kavalur, Kodaikanal Region.**

Documentary Proof for Eligibility

Self attested/certified copy of work orders and completion certificates issued by the authority concerned to establish work experience shall be attached to the tender document. Copies of the Income Tax Returns along with Financial Statements such Balance Sheet, P&L Account etc for the last 3 Financial Years shall be attached to the tender document.

Valid Contract License issued by the competent authority shall be enclosed.

OTHER CONDITIONS

1. Technical & price Bids supported by the above information should be submitted in a Sealed envelope duly super scribed with the name of work, tender notice No., Last date of submission. The completed Bids will be received by this office **upto 15:00 Hrs. on 27.03.2018**
2. If any information furnished by the tenderers is found incorrect at a later stage, the firm shall be liable to be debarred from tendering and taking up of work in I.I.A. The Institute reserves the right to verify the particulars furnished by the tenderers.
3. The firms should submit their offers along with EMD/Tender fee of prescribed amount up to **15:00 Hrs. on 27.03.2018.**
4. Incomplete Technical Bids are liable for rejection.
5. Late & / delayed offer will not be considered.
6. IIA is not responsible for any delay / loss of documents in transit.
7. The Tenders will be opened **on 27.03.2018 at 15:30** hours at **I.I.A, Bengaluru** in the presence of bidders or their authorized representatives. The representatives of the tenderers should bring authorization letter / identification while attending for opening of the tenders.
8. IIA reserves the right to reject any or all tenders without assigning any reasons.

Senior Administrative Officer
IIA, Bengaluru-34

INDIAN INSTITUTE OF ASTROPHYSICS
2nd Block, Koramangala, Bengaluru-560 034

Tender Notice No.: 17/IIA/CIVIL/VBO/KAVALAR/2017-18 Dated 02.03.2018

M/s.

Dear Sir,

The Director, Indian Institute of Astrophysics, Bengaluru invites Sealed Tenders for the work of **“Construction of toilet for public outreach programme, foundation and base work for four wheeler parking and miscellaneous works at VBO, IIA, Kavalur”**. The Tender Terms enclosed herewith may be noted carefully. If you are in a position to quote for the work in accordance with the requirement, please submit your quotation in the attached Tender Form.

Your Tender must reach this office on or before the date and time indicated in the Tender Schedule.

Thanking you,

Yours faithfully,

Encl: as above.

Senior Administrative Officer
for Director

3. INSTRUCTIONS TO THE TENDERERS

1. The tenderers should submit the entire tender document with duly filled with price and technical details of the firm. All the pages of document shall be duly signed.
2. **The rates quoted by the tenderer in the schedule shall be inclusive of all taxes and levies. Such rates should provide the break-up of the cost and applicable taxes, levies etc.**
3. The Offers should be submitted in sealed envelope superscribed with “Tender for **“Construction of toilet for public outreach programme, foundation and base work for four wheeler parking and miscellaneous works at VBO, IIA, Kavalur”**”, Notice No. and due date”.
4. If any clarification is required should be obtained before filling Tender Document.
5. If any discrepancy is there between figures and words for quoted rates, the lower of the two will be considered for the purpose of evaluation.
6. The tenderers who do not fulfill all or any of the tender conditions or if the tender is Incomplete in any respect, will be summarily rejected.
7. The Institute is not bound to accept the lowest tender.
8. Even though the Tenderers meet the above criteria, they are subject to be disqualified if they have (The Institute reserves the right to verify the particulars furnished by the tenderers.)
 - Made misleading or false representations in the forms, statements and attachments submitted in proof of the qualification requirement, Conditional bid / proposal: and / or
 - Record of poor performance such as abandoning the works, not properly completing the contract, inordinate delays in completion, litigation history, or financial failures etc.
9. Any effort by the contractor to influence the client in the bid evaluation, bid comparison or contract award decision results in rejection of the contractors bid.
10. Financial offer will be considered if the bidders fulfill all the technical and financial eligibility criteria as per tender.
11. Late & / delayed offer will not be considered at all.
12. IIA is not responsible for any delay / loss of documents in transit.
13. No bids will be considered if prescribed Tender Fee and EMD are not found with the bid.
14. All overwriting and corrections shall be duly attested with stamp & signature.
15. Corrigendum’s / modifications / corrections, if any, will be published in the website only.
16. The Director, Indian Institute of Astrophysics reserves the right to accept or reject the tenders in full or part without assigning any reason thereof.

17. Performance certificates of the completed works issued by the clients to be enclosed in the technical bid.
18. The committee constituted by the Director may inspect the previously completed or the ongoing works of the bidders to assess their technical suitability for the tendered work.
19. All the pages of the tender document to be signed by the contractor and submit them in the respective sealed covers.
20. The successful contractor will have to execute an Agreement with the Institute within 21 days of receipt of Letter of Intent / Work Order.
21. **All the bidders are requested to visit the site before quoting the rates. The complete document shall be read and understood in all respect. If any clarification is required, the same may got cleared before submitting their offers in writing by contacting the following persons:**

Mr. R.Ramachandra Reddy Ph.No. 080-2254 1417 E-mail: rrr@iiap.res.in

Mr. M.V.Ramaswamy Ph. No. 080-2254 1207 E-mail.: mramaswamy@iiap.res.in

INDIAN INSTITUTE OF ASTROPHYSICS
2ND BLOCK, KORAMANGALA,
BENGALURU – 560034.

Name of Work: **“Construction of toilet for public outreach programme, foundation and base work for four wheeler parking and miscellaneous works at VBO, IIA, Kavalur”**

Tender Notice No.: 17/IIA/CIVIL/VBO/KAVALAR/2017-18 Dated 02.03.2018

Name of

The Firm:

Address:

Phone No:

Last date for submission: 27.03.2018 up to 15:00 hrs

FORMAT FOR SUBMISSION OF TECHNICAL & ORGANISATIONAL DETAILS.

NAME OF THE FIRM :

1. OFFICE SET UP OF THE FIRM

1.1 Office Address:

.....
.....

1.2 Year of Establishment:

1.3 Contact Person Shri.....

With Designation

Ph No.....

Fax No.....

E-mail.....

1.4 Details of registration if any:

.....

1.5 Organizational setup of the firm

Total staff strength both technical

And Administration with their name, age

qualification and experience :

1.6 PAN (photocopy to be enclosed)

GSTIN No (photocopy to be enclosed)

1.7 Details of the staff as per the following format.

Sl. No	Profession/discipline	Name	Age	Qualification	Experience (total years)	Field of experience
	Civil					

2 TENDERER'S EXPERIENCE

Details of Works carried out and on hand during last five years with details such as name of work, year of completion, client name and address, cost of work, time period of construction, nature of work, etc., (It shall enclose a certificate from the owner that the service rendered by the firm has been satisfactory)

Sl. No.	Name & description of work	Value of work and date.	Period of construction and date.	Client persons to whom reference may be made.

3. TOOLS AND EQUIPMENT LIST

The tenderer shall indicate herein below the equipment he has in possession and the equipment he proposes to bring to the site, in case the work is awarded to him.

Sl. No	Type and Description of the equipment.	Numbers the bidder has in possession	Numbers he proposes to bring on to site

Tenderers hereby confirms that the quantity and type of tools he will employ for construction will not be less than those listed above and agree to bring more equipment if so warranted in the opinion of the Engineer-in-charge.

4. FINANCIAL

Bank Name: _____

Branch: _____

Account No.: _____

Average Annual Turnover for last 5 Years: _____

5. INSURANCE

Accident Insurance

Insured with: _____

Policy No.: _____

6. Details of Arbitration cases :

7. Any other detail you would like to intimate in support of your technical bid for appointment :

Signature of the authorized

Person with seal of the firm

(Note: Attach separate sheet for furnishing information in case the space in the format is insufficient)

**INDIAN INSTITUTE OF ASTROPHYSICS
2ND BLOCK, KORAMANGALA,
BENGALURU – 560034.**

PRICE BID

***Name of Work:* “Construction of toilet for public outreach programme, foundation and base work for four wheeler parking and miscellaneous works at VBO, IIA, Kavalur”**

Tender Notice No.: 17/IIA/CIVIL/VBO/KAVALUR/2017-18 Dated 02.03.2018

Name of

The Firm:

Address:

Phone No:

Last date for submission: 27.03.2018 at 15:00 hrs

Tender for the “Construction of toilet for public outreach programme, foundation and base work for four wheeler parking and miscellaneous works at VBO, IIA, Kavalur”

Conditions of contract.

Sealed item rate tenders are invited by Indian institute of Astrophysics for the above mentioned work

Estimated cost : **Rs 17,19,416.00 (Seventeen lakhs nineteen thousand four hundred and sixteen only)**

Time of completion : **Five (05) Months.**

Period of commencement : 7 days from the date of receipt of work order

Retention money/Security Deposit : 5% to be deducted from each RA bill and final bill, shall be released after one year of completion of work, if any towards the cost of defects rectified by employer due to lack of response of the contractor on completion of defects liability period and on certification by the engineer –in charge.

Defects liability period : 12 Months.

Amount of liquidated damage : Liquidated Damages will be deducted from the bill amount while making final payment for delay in completion of work if any, as per the extant rules of the CPWD.

Escalation : In view of the short duration of the contract, no escalation will be paid to the contractor on account of changes in the market prices of any items of work or changes in the cost of living indices etc.

Tax deduction at source : Statutory taxes will be deducted while making payment from time to time as applicable.

The Director, Indian institute of Astrophysics reserves the right to reject any or all the tenders without assigning any reason whatsoever.

The tenderer shall be responsible for arranging and maintaining at his own cost all **materials, tools and plants, water, electricity**, facilities **for workers, safety norms** and all other services required for executing the work.

Timely completion of work and quality of workmanship are of prime importance and the work shall be completed within the stipulated period. Cement consumption must match with standard theoretical calculations. Recovery to be effected in the event of not fulfilling the cement consumption. The waterproofing is the main work for which five year performance guarantee need to be provided by the applicator.

I/ We have read the tender notice, specifications, schedule, drawings, general rules and all other contents of the tender conditions, and understand that you are not bound to accept the lowest or any tender you may receive.

I/ we hereby tender for the execution for the work specified above within the time specified above, at the rates specified in the attached bill of quantities and in all respects with these specifications, design, drawings and instructions.

I/we agree that should I/we fail to commence the work specified in the above memorandum an amount equal to amount of earnest money mentioned in the form of invitation of tender shall be absolutely forfeited to the Director.

Dated: -----

Signature of the contractor with stamp

General conditions of contract.

Item rate tender for works.

- The institute reserves the right to alter the scope /or reduce quantum of work before issue of work order and the contractor shall not have any claim what so ever on this account.
- Rates quoted by the contractor in item rate tender in figures and words shall be accurately filled in so that there is no discrepancy in the rates written in figures and words. However if a discrepancy is found, the rates which correspond with the words worked out by the contractor shall be taken as correct.
- If the amount of an item is not worked out properly by the contractor or it does not correspond with the rate written either in figures or words, then the rate quoted by the contractor in the words shall be taken as correct.
- When the **rates quoted by the contractor in figures and in words** tally but the amount is not worked out correctly the rate quoted in words by the contractor will be taken as correct and not the amount.
- The contractor shall take all precautionary measures to prevent entry of dust, dirt and noise pollution to the adjacent buildings and keep the premises neat and tidy, remove surplus materials and rubbish and shall not cause inconvenience to the staff of IIA. If the contractor or his working people or servants shall break, deface, injure or destroy any part of a building in which they may be working or any buildings, road, kerbs, fence, enclosure, water pipes cables, drains, electric and telephone posts or wire, trees grass or garden. The cost of any such damage and risks arising out of this shall be entirely borne by the contractor.
- A bill shall be submitted by the contractor each month on or before the date fixed by the Engineer- in charge. All the measurements of the work may be recorded jointly by the Engineer-in charge and the contractor or their respective representatives. The measurements will be taken at site, as per latest IS code of practice for measurements. All measurements shall be taken with steel tapes only.
- The Engineer- in -Charge shall have full powers to the removal from the premises of all materials and bad workmanship, which in his opinion are not in accordance with the specifications.

- The Engineer –in- Charge may require the contractor to dismiss or remove from the site of the work any person or persons in the contractors employ upon the work who may be in competent or misconduct himself.

- For working on Sundays, holidays and late hours prior permission will be accorded by the Engineer-in charge on the application made by the contractor.

- All works to be executed under the contract shall be executed under the direction and subject to the approval in all respects of the Engineer-in charge who shall be entitled to direct at what point or points and in what manner they are to be commenced and from time to time carried on.

- The contractor shall treat all materials obtained during dismantling of a structure, excavation of the site for a work etc as institute’s property and such materials shall be disposed off to the best advantage of the institute.

- The contractor shall execute the whole and every part of the work in the most substantial and workman like manner and in strict accordance with the specifications of the CPWD / DOS / Bureau of Indian Standards. In case of any class of work for which there is no such specifications the contractor shall carry out the work in all respects in accordance with the instructions in writing of the Engineer- in charge.

- The Engineer-in charge shall have powers to make any alterations in, omissions from, additions to or substitutions for the original specifications, drawings, designs and instructions that may appear to him necessary or advisable during the progress of the work and the contractor shall carry out the work in accordance. The rates for such additional, altered or substituted items of work shall be worked out in accordance with the standard procedure followed in CPWD / DOS.

- If at any time after the commencement of the work, the Director shall for any reason whatsoever not require the whole thereof as specified in the tender to be carried out, the Engineer- in-Charge shall give notice in writing of the fact to the contractor who shall have no claim to payment of compensation whatsoever on account of any profit or advantage which he might have derived from the execution of the work in full, but which he did not derive in consequence of the full amount of the work not having been carried out, neither shall he have any claim for compensation by reason of any alterations having been made in the original specifications , drawings ,designs and instructions which shall involve any curtailment of the work as originally contemplated.

- ❑ The contractor shall obtain a valid license under the Contract Labour (R&A) act 1970 and the contract labour (Regulation & Abolition) central rules, 1971 before the commencement of the work and continue to have a valid license until the completion of the work. No labour below the age of eighteen years shall be employed on the work. The contractor shall pay to labour employed by him either directly or through sub contractors, wages not less than fair wages as defined in the provision of the contract labour (R&A) act 1970 and the contract labour (R&A) central rules 1971 wherever applicable.

- ❑ The contractor shall at his own expenses arrange for the safety provision as per safety code framed from time to time and shall at his own expenses provide for all facilities in connection therewith.

- ❑ The contractor shall comply with all the provisions of the payment of wages act 1936, Minimum Wages Act 1948, Employees liability act 1938, Workmen's Compensation act 1923, Industrial Disputes Act 1961 and the Contractors Labour (R&A) Act 1970 or the modifications thereof or any other laws relating thereto and the rules made there under from time to time. The regulations aforesaid shall be deemed to be a part of this contract and any breach thereof shall be deemed to be a breach of this contract. Security deposit will not be refunded till clearance certificate from Labour Officer is obtained by contractor.

- ❑ The contractor shall make his /their own arrangements for water required for the works and nothing extra will be paid for the same, as the water available from the institute source may not be sufficient to meet the construction.

- ❑ The contractor shall have all the tools and plants necessary to carry out the work such as concrete mixer, vibrator and hoist. The contractor shall employ one graduate engineer during the execution of the work

- ❑ Certified plumbers should be employed by the contractor on the plumbing and sanitary work.

- ❑ The standard sectional weights referred to as standard tables in para 5.3.3 in CPWD specifications for works 1977 vol. 1 to be considered for conversion of length of various sizes of M.S bars and tor steel bars in to weight.

Size (diameter mm) Weight Kg/m

Size (mm)	Weight (Kg/m)
6	0.222
8	0.395
10	0.617
12	0.888
16	1.579
18	1.999
20	2.467
22	2.985
25	3.855
28	4.836
32	6.316

- The entire work is to be completed within the period stipulated i.e. **Five (05) months** from the 7th day of issue of Letter of Intent/Work Order. The period includes monsoon period also. Time shall be the essence of the contract. After the work awarded, the contractors shall furnish detailed time schedules for the approval of the Engineer-in charge which after approval shall form part of the contract and are to be strictly adhere to.
- The maintenance period for the work shall be twelve (12) months and any defects noticed during the period shall have to be rectified by contractor at his cost, failing which the action taken for maintenance Engineer-in charge shall be final over which the contractor will not have any claim.
- The contractor shall extend all co-operations to the contractors executing works such as electrical, air conditioning etc who might be working at the site and shall permit to use scaffolding etc already put up by him.
- The Engineer-in charge will have the right to get any item of the work included in this tender or not executed through other agencies. Schedule of probable quantities in respect of the work and specifications are enclosed. The schedules of probable quantities are liable to alterations by emission, deduction or additions at the discretion of the Engineer-in charge.
- The rates quoted by the tenderer in the schedule shall be inclusive of all taxes and levies. Such rates should provide the break-up of the cost and applicable taxes, levies etc.

- ❑ Samples of all materials to be incorporated in the works shall be submitted to the Engineer-in charge for his approval without claiming any extra cost. Materials not confirming strictly to the samples are liable to be rejected.
- ❑ The employment of any sub-contractors will be subjected to the approval of the Engineer-in-charge. If at any time during the progress of the work the Engineer-in charge determines that any sub-contractor is incompetent or undesirable the contractor shall take steps immediately to cancel such sub-contractor. The contractor shall be entirely responsible for all the work included in the contract whether executed by him or through his sub-contractors. In particular it may be noted that the contractor shall obtain steel doors and windows from a reputed manufacturer and before placing order for these, the contractor shall obtain the concurrence of the department for the agency from whom he proposes to obtain steel doors and windows.
- ❑ The contractor shall prepare a CPM / PERT /BAR chart/ detailed estimate programme within a week's time of issue of Work Order.
- ❑ All materials and articles brought by the contractor to the work site shall have to be declared at the security gate. Similarly no materials shall be taken out from the departmental premises without proper gate pass which will be issued by the Engineer-in charge.
- ❑ Unless otherwise provided in the schedule of quantities the rates tendered by the contractor shall be all inclusive and shall apply to all heights, lifts, leads and depths of the building and nothing extra shall be payable to him on this account.
- ❑ Sample of various materials required for testing shall be provided free of charge by the contractor. Testing charges, if any unless otherwise provided, shall be borne by the department. All other expenditure required to be incurred for taking the samples, conveyance, packing etc. shall be borne by contractor himself. In case of concrete and reinforced concrete work, the contractor shall be required to make arrangement for carrying out compression strength tests at his own cost including preparation of cubes curing etc. complete.
- ❑ For the purpose of recording measurements and preparing running account bills, the abbreviated nomenclature shall be accepted along with the item number.
- ❑ The contractor shall along the tender submit a schedule of machinery to be used on the work in support of his assurance to adhere to the time schedule specified in the proform given.
- ❑ I /We declare that the work will be carried out as per the specifications in tender document and as per the specifications said above. The items of work not covered in the specifications said above will be carried out as per the specifications in the relevant CPWD specifications, and if not covered in CPWD specifications the work will be carried out as in the relevant IS specifications, and if not covered in the any of the above, the work will be carried out as directed in writing by the Engineer- in charge.

I / We declare that the rates quoted by me/us are on the basis of the above.

Dated: -----

Signature of the contractor with stamp

TENDER FORM

To,

The Director,
Indian institute of Astrophysics,
Koramangala,
Bengaluru - 560034

Dear Sir,

Sub: Tender for project: “Construction of toilet for public outreach programme, foundation and base work for four wheeler parking and miscellaneous works at VBO, IIA, Kavalur”

With reference to the tender invited by you for the above proposed work, I /we write this after having:

- a). Examined the designs, drawings, detailed specifications to tenders, sample agreement, the general conditions of contract and special conditions of contract annexed there to (here in after called ‘the contract documents’) relating to construction.
- b). Visited and examined the site of the proposed work and acquired the requisite information relating to or affecting the tender. We are agreed to the decisions of the pre bid meeting by signing and stamping the minutes of the meeting which is enclosed along with this tender.

I/We undersigned hereby offer to construct the proposed work in strict accordance with the contract document for the consideration to be calculated in terms of the priced schedule of quantities.

I/We undertake to complete the whole of the works as per the attached schedule from the date of issue of intimation by you that our tender has been accepted and up on being permitted to enter site. I/We further undertake that on failure, subject to the conditions of contract relating to extension of time, I/We shall be agreed ‘Liquidated damages’ for the period during which the work shall remain incomplete.

I/We hereby deposit with you as earnest money **Rs..... (RUPEES**
.....ONLY) [Carrying no interest]
and I/We fail to take up the contract when called up on to do so.

Our Bankers are

1.

2.

Place:

Date:

Signature of the tenderer
Name of the partners of the firm
Or
Name of the person having power of attorney to sign the contract

SPECIAL CONDITIONS

GENERAL:

SPECIAL CONDITIONS OF CONTRACT shall be read in conjunction with GENERAL CONDITIONS OF CONTRACT and both form an integral part of contract. Where the two are at variance, the conditions stipulated in this as SPECIAL CONDITIONS shall supersede relevant GENERAL CONDITIONS.

1. SPECIAL CONDITIONS:

HELMETS :

As a measure of safety, persons employed on the site, Engineers and Supervisors shall wear a helmet of approved make at all times when they are at the site. No visitors shall be allowed on work site without wearing helmet.

Contractors shall make arrangements to provide safety helmets to all the persons employed on the site, Engineers and Supervisors at his cost.

Contractors shall display safety and warning signs at strategic locations at the site.

CHILD LABOUR:

Contractor or his Sub-contractor shall not employ any child labourers on the work site, either permanently or temporarily. It shall be the responsibility of the main Contractor to make sure that no child labour is employed at the site. Contractor shall indemnify the Employer against any consequences statutory or otherwise, that may arise out of employing child labour on the site.

TEMPORARY ELECTRICAL WIRING:

It shall be the responsibility of the main Contractor to make sure that the temporary wiring for construction activity shall adhere to minimum safety precautions as per Electricity Act. All wires / cables shall be drawn on wooden poles properly fixed and shall be drawn overhead.

2. LABOUR SHEDS:

Labour sheds shall be constructed with non-combustible materials like GI sheets or Asbestos sheets. Contractor will not be permitted to use combustible materials such as palm leaves etc., for the construction of the labour sheds.

3. MATERIALS SUPPLY / PROCUREMENT:

No materials will be supplied by the owner. If any increase on the material procurement cost/ labour, P&M will not be entertained for any kind of escalation till completion of the project.

4. BILLING. CERTIFICATION & PAYMENT OF BILLS:

BILLING:

The contractor shall prepare measured bills after completing the quantum of work as per the standard format and submit the same to the Institute for checking and issue of Certificates for Payment. A proper tax invoice (with breakup of the cost and taxes) shall be submitted and bill shall be settled within 30 days of receipt at IIA.

PAYMENT OF BILLS:

The contractor shall be paid by the Employer from time to time based on the certificate for payment

5. REPAIR OF WORKS DONE BY OTHER AGENCIES:

The civil contractor shall make up any deficiency in the finishing of the areas damaged by other agencies in a workmanlike manner to achieve uniform finishing of the building at no extra cost.

6. MATERIAL TESTS:

The contractor shall provide such assistance, instruments, machines, labour and materials as are normally required for examining, measuring and testing.

The contractor shall install a compression testing machine at site to test concrete cubes and solid blocks.

The contractor shall maintain a record of all the test results in an approved format and periodically submit the same for Architect's/Employer's scrutiny.

7. PLANT & MACHINERY:

The contractor is obliged to furnish to the Employer detailed list of equipment, plant, machinery & personnel proposed to be deployed in this project.

8. CLIENT'S & ARCHITECT'S OFFICES & FACILITIES:

The contractor shall supply, erect and satisfactorily maintain in good repair until final completion of works, a well lighted temporary site office.

The contractor shall provide at all times for the duration of the contract survey instruments for the exclusive use of consultants as directed by consultants for carrying out of his duties in connection with the contract.

Such instruments which must be approved by the Architect, shall include but not limited to the following:

- One theodolite & tripod capable of reading to 20 seconds
- One level with horizontal circle and tripod.
- Two metric leveling staffs not less than 3.5mtr high.
- One 100 metre rustless steel band, one 30 metre rustless steel tape and two 30 metre linen tapes.

- An adequate number of ranging rods drop arrows, wooden setting-out pegs, etc.

The contractor shall be solely responsible for all such instruments and equipment's and shall ensure that they are at all times in good repair and adjustment.

9. SANITATION & DRAINAGE DURING CONSTRUCTION:

The contractor shall provide sanitation and drainage facilities on the site as stated subsequently.

The contractor shall strictly control the labour so that the site is not polluted, made dirty or littered with debris, wastes or the likes. Any person found creating mess or litter or pollution shall be removed from the site immediately at contractor's cost.

The contractor shall provide sanitation facilities at convenient locations on site to preserve the cleanliness of the site. The effluent shall be directed as follows:

- Waste water : Collection and pumping out and disposal off the site in approved manner.
- Sewage : Septic tank provision - sludge to be collected and disposed off at intervals as directed.

The location of the above provisions shall be as marked on the site mobilization scheme drawing.

10. DISCREPANCIES:

The contractor shall bring to the notice of the Architect any discrepancies within or between contract drawings and/or the other contract documents prior to preparation of working drawings and commencement of work and shall not proceed with work until the Architect gives clarifications and instructions to proceed.

11. REPORTS BY CONTRACTOR:

- 11.1 The contractor shall file daily category-wise labour return. The report shall indicate scheduled requirement against actual strength.
- 11.2 The contractor shall prepare weekly reports of planned and actual progress of work and subsequent week's scheduled work. These will also include material procurement status. These reports shall be submitted to Architect and shall be reviewed during weekly co-ordination meeting.
- 11.3 The contractor shall submit monthly report along with monthly bills.
- 11.4 Further progress charts and schedules shall be prepared by the contractor as directed by the Architect.
- 11.5 The contractor shall submit re-conciliation statement of all the materials supplied by the Client, if any, along with every running & final bill.

LIST OF APPROVED MATERIALS

CIVIL

Sl. No.	Material	Make
1	Steel	SAIL – TMT, VIZAG STEEL
2	Cement	ACC/Birla/L&T
3	Acrylic Exterior Emulsion	Asian Paints
4	Plastic Emulsion Paint	Asian Paints
5	Enamel Paint	Asian Paints
6	Aluminium	Jindal, Indal, Hindalco
7	Glass	Saint Gobain, Modi
8	Flush Door	Kutty's Bond Wood, Hunsur Board
9	Vitrified tiles	Nitco/RAK
10	Ceramic tiles	NITCO

WATER SUPPLY AND SANITARY WORKS

Sl.No.	Material	Make
1	PVC	Astral/Ashirvad/Kisan/Supreme
2	CPVC	Astral/Ashirvad/Supreme/Prince
3	Ball valves	Astral/Ashirvad/Hawa /R.B.
4	G.M. non-return valves	Kirloskar/Zoloto
5	PVC Gutters	Kisan/approved equivalent
6	C.P. Fittings	Jaquar/approved equivalent
7	Bathroom accessories	Jaquar/approved equivalent
8	SFRC manhole frame and Covers	Southern Concrete Industries/approved equivalent
9	Kitchen sink	Nirali/ Approved Equivalent
10	Anchor bolts/pipe support system	Hilti / approved equivalent
11	CI Grating & MH frame & cover	NECO/ Approved equivalent

BILL OF QUANTITIES

Bill of Quantities for the work of “Construction of toilet for public outreach programme, foundation and base work for four wheeler parking and miscellaneous works at VBO, IIA, Kavalur”

(NOTE: Rates shall be quoted after reading the complete specifications and understanding site conditions)

Visitors toilet at VBO Kavalur

Sl. No	Description	Quantity	Unit	Rate (Rs.)		Amount
				In figures	In words	
1	Earth work in surface excavation not exceeding 30 cm in depth but exceeding 1.5 m in width as well as 10 sqm on plan including getting out and disposal of excavated earth upto 50 m and lift upto 1.5 m, as directed by Engineer-in-Charge:					
1.1	All kinds of soil.	100	sqm			
2	Earth work in excavation by mechanical means (Hydraulic excavator) / manual means in foundation trenches or drains (not exceeding 1.5 m in width or 10 sqm on plan), including dressing of sides and ramming of bottoms, lift upto 1.5 m, including getting out the excavated soil and disposal of surplus excavated soil as directed, within a lead of 50 m.					
2.1	All kinds of soil.	15	cum			
3	Earth Filling: Filling available excavated earth (excluding rock) in trenches, plinth, sides of foundations etc. in layers not exceeding 20cm in depth, consolidating each deposited layer by ramming and watering, lead up to 50 m and lift upto 1.5 m.	20	cum			
4	PLAIN CEMENT CONCRETE: Providing and laying cement concrete using 40 mm nominal size graded hard granite stone aggregate obtained from quarry including compaction, finishing top surface to level, curing, cost of form work, etc., complete as per specifications. Mix ratio is specified is for cement : coarse river sand : graded stone aggregate. IN FOUNDATION AND PLINTH/ SUB-BASE TO FLOORS.					

Sl. No	Description	Quantity	Unit	Rate (Rs.)		Amount
				In figures	In words	
4.1	PCC 1:4:8.	6	cum			
5	COURSED RUBBLE MASONRY: Coursed rubble masonry (first sort) with hard stone in foundation and plinth.					
5.1	Cement mortar 1:6 (1 cement: 6 coarse sand).	5	cum			
6	REINFORCED CEMENT CONCRETE: Providing and laying in position Reinforced Cement concrete using 20mm nominal graded hard granite stone aggregate obtained from approved including mechanical mixing, vibrating, compaction finishing, curing etc; complete as per specifications but excluding the cost form works and steel reinforcement. (Rate includes labor for keeping embedment if any, where required while casting). Mix ratio specified is for cement: Coarse river sand: Graded stone aggregate, UP TO FLOOR FIVE LEVEL. In walls (Any thickness), including attached pilasters, buttresses, plinth and string courses, fillets, columns, pillars, piers, abutments, posts and struts, etc.,					
6.1	RCC 1:1.5:3.	15	cum			
7	CENTERING AND SHUTTERING: Providing Rigid and water tight CENTERING AND SHUTTERING using best quality wood/ plywood/ steel forms and shuttering with steel props, acrotubes etc., including strutting, propping, bracing, staging etc., complete for all RCC items fixed in position as required including labour for careful removal of form work etc., complete all as per specifications at all heights. In horizontal/ Vertical/ slanting surfaces.					
7.1	Foundations, footings, bases of columns including pedestals, mass concreting, flooring etc.	10	sqm			
7.2	Lintels, beams, plinth beams, girders, bressumers and cantilevers, etc.	30	sqm			
7.3	Suspended floors, roofs, landings, shelves and their supports, balconies and chajjas.	40	sqm			
7.4	Columns, pillars, abutments, posts and struts.	20	sqm			

Sl. No	Description	Quantity	Unit	Rate (Rs.)		Amount
				In figures	In words	
8	DAMP-PROOF COURSE: Providing and laying damp-proof course 40mm thick with cement concrete Including water proofing chemical.					
8.1	1:2:4 (1 cement: 2 coarse sand: 4 graded stone aggregate 12.5mm nominal size).	10	sqm			
9	BRICK MASONRY: Providing and constructing burnt brick masonry with approved quality of modular bricks of standard size of class designation 5.0 Newton per sqmm (table moulded) with cement mortar 1:4 for Basement and superstructure including cost of materials, labour charges, scaffolding, curing complete as per specifications.					
9.1	Using bricks of class designation '5' (Minimum average compressive strength not less than 5.0 N/ Sq.mm) in cement mortar 1:4.	15	cum			
10	HALF BRICK MASONRY: Construction of partition wall 10 cms thick with table moulded modular burnt bricks of class designation 5.0 Newton per sqmm with cement mortar 1:4 including providing and fixing plaster mesh manufactured out of hot dipped galvanized iron of nominal thickness 0.35 mm. 100mm. wide as per I.S. 2212/1991 at 7.5 m. c to c including cost of materials, labour charges, scaffolding, curing complete as per specifications.					
10.1	Using bricks of class designation '5' (Minimum average compressive strength not less than 5.0 N/ Sq.mm) in cement mortar 1:3.	30	sqm			
11	Providing reinforced fascia 5cms thick by providing and fixing chicken mesh, 8mm steel rods 15cms centre to centre both ways and plastering with cement mortar 1:3 and with drip moulding including centering, formwork, curing etc complete. (Inclusive of cost of steel and fabrication charges).	10	sqm			

Sl. No	Description	Quantity	Unit	Rate (Rs.)		Amount
				In figures	In words	
12	PLASTERING INTERNAL SURFACES: Plastering 20mm thick with cement mortar specified below, finished smooth with lime neeru, including scaffolding, curing, etc; complete for INTERNAL SURFACES of stone masonry/brick masonry walls sills, jambs, etc; complete all as per specifications UPTO FLOOR LEVEL, mix specified is for cement: fine sand. NOTE: CM 1:3 OR 1:4 is generally applicable for ceilings and RCC surfaces unless otherwise specified.					
12.1	with CM 1:5.	150	sqm			
13	PLASTERING EXTERNAL SURFACES: Plastering 20mm thick with cement mortar specified below, finished rough including scaffolding, curing, etc; complete for EXTERNAL SURFACES of stone masonry/brick masonry walls sills, jambs, soffits, etc; complete all as per specifications heights upto 10m above ground level, mix specified is for cement: fine sand. NOTE: CM 1:3 OR 1:4 is generally applicable for ceilings and RCC surfaces unless otherwise specified.					
13.1	With CM 1:5.	90	sqm			
14	STEEL REINFORCEMENT: Steel reinforcement for all RCC items including decoiling, cutting, hooking, bending, cranking, fabricating to required shape, placing in position and tying the system with soft drawn annealed GI binding wire of diameter not less than 1.00mm with 2 strands etc; complete all as per specifications at all heights (binding wire will not be measured for payment).					
14.1	Thermo-mechanically Treated (TMT) bars - Fe415	1.5	MT			

Sl. No	Description	Quantity	Unit	Rate (Rs.)		Amount
				In figures	In words	
15	PAINTING OF INTERNAL SURFACES: Painting internal plastered surfaces with two or more coats of super acrylic emulsion paint of approved brand and colour (Berger or Asian or equivalent) to give an even shade with required finish over a coat of water thinnable cement primer including cleaning the surfaces, filling the crevices with approved filler, scaffolding, etc., complete all as per specification.	100	sqm			
16	PAINTING OF EXTERNAL SURFACES: Painting external plastered surfaces with two or more coats of 100% acrylic exterior emulsion paint of approved make and colour (apcolite apex of Asian or weather coat of Berger or equivalent) having protection against fungal growth, flaking, fading, alkali and UV degradation and to give an even shade with required finish including cleaning the surfaces, applying one coat of primer, filling the crevices with approved filler, scaffolding, etc., complete all as per specifications.	100	sqm			
17	ENAMEL PAINT: Painting wood / steel work with one or more coats of SYNTHETIC ENAMEL PAINT of first quality and approved colour to give an even shade including cleaning the surfaces, filling the crevices with approved filler, scaffolding, etc; complete all as per specification.	40	sqm			
18	FLOOR TILES: Providing and laying vitrified floor tiles in different sizes (thickness to be specified by the manufacturer) with water absorption less than 0.08% and conforming to IS: 15622, of approved make, in all colours and shades, laid on 20mm thick cement mortar 1:4 (1 cement: 4 coarse sand), jointing with grey cement slurry @ 3.3kg/sqm including grouting the joints with white cement and matching pigments etc., complete. Size of tile 600x600mm. Make Kajariya, Rak. Basic rate of tiles =85/Sft	30	sqm			

Sl. No	Description	Quantity	Unit	Rate (Rs.)		Amount
				In figures	In words	
19	WALL TILES: Providing and fixing 1st quality ceramic glazed wall tiles conforming to IS: 15622 (thickness to be specified by the manufacturer), of approved make, in all colours, shades except burgundy, bottle green, black of any size as approved by Engineer-in-Charge, in skirting, risers of steps and dados, over 12 mm thick bed of cement mortar 1:3 (1 cement : 3 coarse sand) and jointing with grey cement slurry @ 3.3kg per sqm, including pointing in white cement mixed with pigment of matching shade complete.	60	sqm			
20	Providing and fixing Chlorinated Polyvinyl Chloride (CPVC) pipes, having thermal stability for hot and cold water supply, including all CPVC plain & brass threaded fittings, including fixing the pipe with clamps at 1.00 m spacing. This includes jointing of pipes & fittings with one step CPVC solvent cement and the cost of cutting chases and making good the same including testing of joints complete as per direction of Engineer in charge. Concealed work, including cutting chases and making good the walls etc.					
20.1	Chlorinated Polyvinyl-Chloride(CPVC)pipe 20mm outer dia.	20	metre			
20.2	Chlorinated Polyvinyl-Chloride(CPVC)pipe 25mm outer dia.	20	metre			
20.3	Chlorinated Polyvinyl-Chloride(CPVC)pipe 32mm outer dia.	20	metre			
20.4	Chlorinated Polyvinyl-Chloride(CPVC)pipe 40mm outer dia.	30	metre			
21	Providing and fixing water closet squatting pan (Indian type W.C.pan) with 100 mm sand cast Iron P or S trap, with jaguar push type flushing system cat.no-1085, with all fittings and fixtures complete, including cutting and making good the walls and floors wherever required white Vitreous china Orissa pattern W.C. pan of size 580x440 mm with integral type foot rests. Make - Orissa - Comfort Squatting Pans. Hindware model no. Cat No.:20042.	2	each			

Sl. No	Description	Quantity	Unit	Rate (Rs.)		Amount
				In figures	In words	
22	Providing and fixing white vitreous china pedestal type water closet (European type) with seat and lid, with jaguar push type flushing system cat.no-1085 & C.P. flush bend with fittings & C.I. brackets, 40 mm flush bend, overflow arrangement with specials of standard make and mosquito proof coupling of approved municipal design complete, including painting of fittings and brackets, cutting and making good the walls and floors wherever required W.C. pan with ISI marked white solid plastic seat and lid. Make: 1085 Jaguar flushing, Hindware model no. Cat No : 20098, Star White.	2	each			

Sl. No	Description	Quantity	Unit	Rate (Rs.)		Amount
				In figures	In words	
23	<p>Providing and fixing Best Indian make hand basin (with GI waste pipe) including pedestal comprising of:</p> <p>A) Best Indian make white glazed vitreous chinaware wash hand basin of approved make of size mentioned below conforming to IS:2556 PART -IV with single tap hole and bearing ISI mark supported on a pair of painted CI brackets conforming to IS:775</p> <p>B) One 15mm CP brass pillar cock of approved make with hot or cold water indication as required conforming to IS:1795 with minimum weight of 577gm.</p> <p>C) One 15mm heavy quality flexible PVC inlet pipe connected with CP brass hexagonal check nuts with washer at both ends.</p> <p>D) One 15mm CP brass angle-cock/stop cock of approved make conforming to IS:781 of approved make with a minimum weight to 400gm on the inlet basin .</p> <p>E) One 32mm heavy quality CP brass waste coupling with rubber plug and CP chain.</p> <p>F) One 32mm medium quality GI waste pipe with specials from basin outlet to the floor trap, length not exceeding 1m concealed in wall.</p> <p>G) One no. 40mm Dia GI bend and 40mm dia 250mm long GI pipe connection waste pipe to floor trap. All as per specifications and as directed with approved fittings.</p> <p>H) Hindware Model No. Cat No.10036.32mm dia CP waste coupling Jaguar 705/709, CP angle stop cock with flange Jaguar 051/053</p>					
23.1	Size 550x400mm.	3	each			

Sl. No	Description	Quantity	Unit	Rate (Rs.)		Amount
				In figures	In words	
24	<p>Providing and fixing in position large urinals comprising of:</p> <p>A) White glazed vitreous chinaware of approved make large urinal size 600x400x375mm with necessary fixtures conforming to IS : 2556 part-vi bearing ISI mark.</p> <p>B) 15mm NB CP brass concealed stop cock of approved make conforming to IS:781 on flushing line one for each urinal in the range.</p> <p>C) CP brass distribution pipe and spreader of best approved quality to urinal with necessary CP brass specials, clamps etc., one for each urinal in a range.</p> <p>D) One number 32mm CP brass waste coupling-one for each urinal.</p> <p>E) One number 32mm PVC waste pipe and specials from each urinal to floor trap / half round channel. Complete all as specified with approved fittings. Hindware model no. Cat No.:60002. F)CP spreader Viking Cat No-51081</p> <p>G) CP urinal flush valve Viking Cat No -1077</p>	3	each			
25	<p>Providing wood work in frames of doors, windows, clerestory windows and other frames, wrought framed and fixed in position with hold fast lugs or with dash fasteners of required dia & length (hold fast lugs or dash fastener shall be paid for separately).</p>	0.5	cum			
26	<p>Providing & fixing of Top hung Ventilator With Exhaust Fan Provision made out multi chambered uPVC sections with TPV gaskets having Isolated drainage and reinforced with Galvanized iron profiles through out the window. The outer frame having a overall size of 60x55mm with reinforcement of 1mm thickness Mullion with overall size of 74x60mm with reinforcement of 1 mm thickness and Sash with overall size of 75x60 mm with reinforcement of 1.5mm thickness Glazing bead for fixing of glass shall be of size 34x20 mm coextruded with gasket, Ventilator shall be provided with 4.5 mm Pin Head glass standard hardware, single point locking and friction stays, Wall thickness of frame mullion and sash</p>	2	each			

Sl. No	Description	Quantity	Unit	Rate (Rs.)		Amount
				In figures	In words	
	shall be 2-2.2mm.					
27	Providing and fixing in position best Indian make marble/granite partition Slab for urinals, size 610x1150mm, 20mm thick (tolerance +/- 1mm) polished on both sides and machine cut edges with exposed corners rounded etc all as specified and directed.	2	each			
28	Providing and fixing in position best quality approved make liquid soap holder as mentioned below with CP brass brackets, CP cap screws, washers etc, fixed to wall with necessary plugs etc. all specified and directed.					
29	With glass container.	3	each			
30	Providing and fixing MIRROR Rectangular shape of 1500x450mm with PLASTIC MOULDED FRAME of approved make and shade with 6mm thick hard board backing, type.	2	each			
31	Providing and placing on terrace (at all floor levels) polyethylene water storage tank, IS : 12701 marked, with cover and suitable locking arrangement and making necessary holes for inlet, outlet and overflow pipes but without fittings and the base support for tank.					
31.1	Providing and fixing Circular tank on terrace including float valve.	2000	per liter			
32	Fixing of doors/shutters/frames and ventilators provided by I.I.A. Following fixtures included in contractor scope such as, S.S Mesh for ventilators, handle locks, door closer, door stopper, hinges, grills for ventilators and required hard wares.	10	each			
33	Providing and fixing brass bib cock of approved quality : Jaguar Cat No.5041					
33.1	15 mm nominal bore. Two in one bib cock	4	each			
33.2	Providing and fixing Health faucet. (Make: Jaguar)	4	each			
34	Providing and fixing Nahani trap with CP/SS gratings	6	each			

Sl. No	Description	Quantity	Unit	Rate (Rs.)		Amount
				In figures	In words	
35	Providing and fixing C.P. brass stop cock (concealed) of standard design and of approved make conforming to IS:8931. 15 mm nominal bore.	2	each			
36	Water proof cement plastering of thickness specified below in cement mortar 1:3 (Cement : Coarse river sand) mixed with approved water proofing compound such as CICO or ACCOPROOF or Equivalent as per manufacturers specifications including scaffolding, curing etc.. Complete for External surfaces as per specifications for heights up to 10 m above GL.					
	20 mm thick	45	Sqm			
				Total		

Septic tank and soak pit for Visitors Toilet at VBO Kavalur.

Sl. No	Description	Quantity	Unit	Rate (Rs.)		Amount
				In figures	In words	
1	Earth work in surface excavation not exceeding 30 cm in depth but exceeding 1.5 m in width as well as 10 sqm on plan including getting out and disposal of excavated earth upto 50 m and lift upto 1.5 m, as directed by Engineer-in-Charge:					
1.1	All kinds of soil.	15	sqm			
2	Earth work in excavation by mechanical means (Hydraulic excavator) / manual means in foundation trenches or drains (not exceeding 1.5 m in width or 10 sqm on plan), including dressing of sides and ramming of bottoms, lift upto 1.5 m, including getting out the excavated soil and disposal of surplus excavated soil as directed, within a lead of 50 m.					
2.1	All kinds of soil.	18	cum			
2.2	Extra for every additional lift of 1.5 m or part thereof in excavation / banking excavated or stacked materials.					
2.2.1	All kinds of soil	5	cum			

Sl. No	Description	Quantity	Unit	Rate (Rs.)		Amount
				In figures	In words	
3	PLAIN CEMENT CONCRETE: Providing and laying cement concrete using 40 mm nominal size graded hard granite stone aggregate obtained from quarry including compaction, finishing top surface to level, curing, cost of form work, etc., complete as per specifications. Mix ratio is specified is for cement : coarse river sand : graded stone aggregate. IN FOUNDATION AND PLINTH/ SUB-BASE TO FLOORS.					
3.1	PCC 1:4:8.	1.2	cum			
4	REINFORCED CEMENT CONCRETE: Providing and laying in position Reinforced Cement concrete using 20mm nominal graded hard granite stone aggregate obtained from approved including mechanical mixing, vibrating, compaction finishing, curing etc; complete as per specifications but excluding the cost form works and steel reinforcement. (Rate includes labor for keeping embedment if any, where required while casting). Mix ratio specified is for cement: Coarse river sand: Graded stone aggregate, UP TO FLOOR FIVE LEVEL. In walls (Any thickness), including attached pilasters, buttresses, plinth and string coarses, fillets, columns, pillars, piers, abutments, posts and struts, etc.,					
4.1	RCC 1:1.5:3.	1.5	cum			
5	BRICK MASONRY: Providing and constructing burnt brick masonry with approved quality of modular bricks of standard size of class designation 5.0 Newton per sqmm (table moulded) with cement mortar 1:4 for Basement and superstructure including cost of materials, labour charges, scaffolding, curing complete as per specifications.					

Sl. No	Description	Quantity	Unit	Rate (Rs.)		Amount
				In figures	In words	
5.1	Using bricks of class designation '5' (Minimum average compressive strength not less than 5.0 N/ Sq.mm) in cement mortar 1:4.	6	cum			
6	Providing and fixing up to floor five level precast cement concrete solid block, including hoisting and setting in position with cement mortar 1:3 (1 cement : 3 coarse sand), cost of required centering, shuttering complete :					
6.1	1:1½:3 (1 Cement: 1½ coarse sand (zone-III): 3 graded stone aggregate 20 mm nominal size).	1.3	cum			
7	PLASTERING INTERNAL SURFACES: Plastering 20mm thick with cement mortar specified below, finished smooth with lime neeru, including scaffolding, curing, etc; complete for INTERNAL SURFACES of stone masonry/brick masonry walls sills, jambs, etc; complete all as per specifications UPTO FLOOR LEVEL, mix specified is for cement: fine sand. NOTE: CM 1:3 OR 1:4 is generally applicable for ceilings and RCC surfaces unless otherwise specified.					
7.1	With CM 1:5.	20	sqm			
8	Providing reinforced fascia 5cms thick by providing and fixing chicken mesh, 8mm steel rods 15cms centre to centre both ways and plastering with cement mortar 1:3 and with drip moulding including centering, formwork, curing etc complete. (Inclusive of cost of steel and fabrication charges).	30	sqm			

Sl. No	Description	Quantity	Unit	Rate (Rs.)		Amount
				In figures	In words	
9	Construction of inspection chamber of internal clear dimension as mentioned below in 230mm thick brick masonry using first class country brick wall in CM 1:3 over a bed of 150mm thick CC 1:2:4, plastering with CM 1:2, 12mm thick on internal, external, exposed top surfaces and internal and exposed top surfaces finished smooth with a floating coat of neat cement, PCC 1:2:4 for benching, channeling, providing and fixing pre-cast RCC M15 frame and cover as mentioned below including cost of necessary steel reinforcement as per drawing. encasing sewers connection to chamber in PCC 1:2:4 complete all as specified and directed. NOTE: CC 1:2:4 in the above item is by using 20mm graded granite aggregate obtained from approved quarry.					
9.1	600 X600 X 600 mm (with 600 X600 mm RCC frame and cover).	3	nos			
10	Providing, laying and laying jointing unplasticized PVC pipes and specials of working pressure as mentioned below confirming to IS:4985 including cost of necessary jointing materials, clamps, labour for excavation of trenches, testing, refilling etc., complete all as per specifications.					
10.1	6 kg/ sqcm and 110mm OD	32	meter			
10.2	6 kg/ sqcm and 140mm OD	20	meter			
11	Rectangular shape 600x450 mm precast R.C.C. manhole cover with frame - L.D.	1	each			

Sl. No	Description	Quantity	Unit	Rate (Rs.)		Amount
				In figures	In words	
12	Making soak pit 2.5 m diameter 3.0 metre deep with 45 x 45 cm dry brick honey comb shaft with bricks and S.W. drain pipe 100 mm diameter, 1.8 m long complete as per standard design. Making soak pit 2.5 m diameter 3.0 metre deep with 45 x 45 cm dry brick honey comb shaft with bricks and S.W. drain pipe 100 mm diameter, 1.8 m long complete as per standard design. Provide brick bats of 1.2m dia around dry honey comb shaft, provide 1.8m dia brick ballast around dry brick bats of nominal size 50mm to 80mm, provide 2.5m dia brick ballast around comb shaft of brick ballast of size 40mm and make brick edging at top surface of soak pit.					
12.1	With common burnt clay F.P.S. (non modular) bricks of class designation 7.5.	1	each			
				Total		

Extension for existing Parking at VBO Kavalur.

Sl. No	Description	Quantity	Unit	Rate (Rs.)		Amount
				In figures	In words	
1	Earth work in surface excavation not exceeding 30 cm in depth but exceeding 1.5 m in width as well as 10 sqm on plan including getting out and disposal of excavated earth upto 50 m and lift upto 1.5 m, as directed by Engineer-in-Charge:					
1.1	All kinds of soil.	120	sqm			
2	Earth work in excavation: by mechanical means (Hydraulic excavator) / manual means in foundation trenches or drains (not exceeding 1.5 m in width or 10 sqm on plan), including dressing of sides and ramming of bottoms, lift upto 1.5 m, including getting out the excavated soil and disposal of surplus excavated soil as directed, within a lead of 50 m.					
2.1	All kinds of soil.	42	cum			
3	Earth Filling: Filling available excavated earth (excluding rock) in trenches, plinth, sides of foundations etc. in layers not exceeding 20cm in depth, consolidating each deposited layer by ramming and watering, lead up to 50 m and lift upto 1.5 m.	50	cum			
4	COURSED RUBBLE MASONRY: Coursed rubble masonry (first sort) with hard stone in foundation and plinth with :					
4.1	Cement mortar 1:6 (1 cement: 6 coarse sand).	14	cum			
5	DAMP-PROOF COURSE: Providing and laying damp-proof course 40mm thick with cement concrete Including water proofing chemical.					
5.1	1:2:4 (1 cement: 2 coarse sand: 4 graded stone aggregate 12.5mm nominal size).	14	sqm			

Sl. No	Description	Quantity	Unit	Rate (Rs.)		Amount
				In figures	In words	
6	PLAIN CEMENT CONCRETE: Providing and laying cement concrete using 40 mm nominal size graded hard granite stone aggregate obtained from quarry including compaction, finishing top surface to level, curing, cost of form work, etc., complete as per specifications. Mix ratio is specified is for cement : coarse river sand : graded stone aggregate. IN FOUNDATION AND PLINTH/SUB-BASE TO FLOORS.					
6.1	PCC 1:4:8.	20	cum			
7	REINFORCED CEMENT CONCRETE: Providing and laying in position Reinforced Cement concrete using 20mm nominal graded hard granite stone aggregate obtained from approved including mechanical mixing, vibrating, compaction finishing, curing etc; complete as per specifications but excluding the cost form works and steel reinforcement. (Rate includes labor for keeping embedment if any, where required while casting). Mix ratio specified is for cement: Coarse river sand: Graded stone aggregate, UP TO FLOOR FIVE LEVEL. In walls (Any thickness), including attached pilasters, buttresses, plinth and string courses, fillets, columns, pillars, piers, abutments, posts and struts, etc.,					
7.1	RCC 1:1.5:3.	10	cum			
8	STEEL REINFORCEMENT: Steel reinforcement for all RCC items including decoiling, cutting, hooking, bending, cranking, fabricating to required shape, placing in position and tying the system with soft drawn annealed GI binding wire of diameter not less than 1.00mm with 2 strands etc; complete all as per specifications at all heights (binding wire will not be measured for payment).					
8.1	Thermo-mechanically Treated (TMT) bars - Fe500.	1	MT			

Sl. No	Description	Quantity	Unit	Rate (Rs.)		Amount
				In figures	In words	
9	CENTERING AND SHUTTERING: Providing Rigid and water tight CENTERING AND SHUTTERING using best quality wood/ plywood/ steel forms and shuttering with steel props, acrotubes etc., including strutting, propping, bracing, staging etc., complete for all RCC items fixed in position as required including labour for careful removal of form work etc., complete all as per specifications at all heights. In horizontal/ Vertical/ slanting surfaces.					
9.1	Foundations, footings, bases of columns including pedestals, mass concreting, flooring etc.	75	sqm			
10	IPS Flooring: Providing and laying Indian Patent Stone flooring with cement concrete 1:2:4 (Cement : Coarse river sand : Graded stone aggregate) using graded granite stone aggregate obtained from approved quarry laid to level or slope in bays not exceeding 3 sqm/ panel including providing 3mm thick aluminium dividing strips to the full depth of the flooring and finished smooth with float coat of cement at 4.4kg/sqm. curing, etc., complete as per specifications.					
10.1	40 mm thick (Using 20mm nominal size stone aggregate)	125	sqm			
				Total		

Plinth protection around STARS Building at VBO Kavalur.

Sl. No	Description	Quantity	Unit	Rate (Rs.)		Amount
				In figures	In words	
1	Earth work in surface excavation not exceeding 30 cm in depth but exceeding 1.5 m in width as well as 10 sqm on plan including getting out and disposal of excavated earth upto 50 m and lift upto 1.5 m, as directed by Engineer-in-Charge:					
1.1	All kinds of soil.	120	sqm			
2	Demolishing cement concrete manually/ by mechanical means including disposal of material within 50 metres lead as per direction of Engineer - in - charge.					
2.1	Nominal concrete 1:4:8 or leaner mix (i/c equivalent design mix)	0.5	cum			
2.2	Demolishing stone rubble masonry manually/ by mechanical means including stacking of serviceable material and disposal of unserviceable material within 50 metres lead as per direction of Engineer-in-charge :					
2.3	In cement mortar	1.5	cum			
3	Earth work in excavation by mechanical means (Hydraulic excavator) / manual means in foundation trenches or drains (not exceeding 1.5 m in width or 10 sqm on plan), including dressing of sides and ramming of bottoms, lift upto 1.5 m, including getting out the excavated soil and disposal of surplus excavated soil as directed, within a lead of 50 m.					
3.1	All kinds of soil.	13	cum			

Sl. No	Description	Quantity	Unit	Rate (Rs.)		Amount
				In figures	In words	
4	PLAIN CEMENT CONCRETE: Providing and laying cement concrete using 40 mm nominal size graded hard granite stone aggregate obtained from quarry including compaction, finishing top surface to level, curing, cost of form work, etc., complete as per specifications. Mix ratio is specified is for cement : coarse river sand : graded stone aggregate. IN FOUNDATION AND PLINTH/ SUB-BASE TO FLOORS.					
4.1	PCC 1:4:8.	15	cum			
5	CENTERING AND SHUTTERING: Providing Rigid and water tight CENTERING AND SHUTTERING using best quality wood/ plywood/ steel forms and shuttering with steel props, acrotubes etc., including strutting, propping, bracing, staging etc., complete for all RCC items fixed in position as required including labour for careful removal of form work etc., complete all as per specifications at all heights. In horizontal/ Vertical/ slanting surfaces.					
5.1	Foundations, footings, bases of columns including pedestals, mass concreting, flooring etc.	15	sqm			
6	Cement Finish: Smooth finishing of the exposed surface of R.C.C. work with 6 mm thick					
6.1	cement mortar 1:3 (1 Cement: 3 fine sand).	120	sqm			
				Total		

Canteen column repair work at VBO Kavalur.

Sl. No	Description	Quantity	Unit	Rate (Rs.)		Amount
				In figures	In words	
1	Demolishing cement concrete manually/ by mechanical means including disposal of material within 50 metres lead as per direction of Engineer - in - charge.					
1.1	Nominal concrete 1:4:8 or leaner mix (i/c equivalent design mix)	2.5	cum			
1.2	Demolishing stone rubble masonry manually/ by mechanical means including stacking of serviceable material and disposal of unserviceable material within 50 metres lead as per direction of Engineer-in-charge :					
	In cement mortar	4	cum			
2	Earth work in excavation by mechanical means (Hydraulic excavator) / manual means in foundation trenches or drains (not exceeding 1.5 m in width or 10 sqm on plan), including dressing of sides and ramming of bottoms, lift upto 1.5 m, including getting out the excavated soil and disposal of surplus excavated soil as directed, within a lead of 50 m.					
2.1	All kinds of soil.	10	cum			
3	Earth Filling: Filling available excavated earth (excluding rock) in trenches, plinth, sides of foundations etc. in layers not exceeding 20cm in depth, consolidating each deposited layer by ramming and watering, lead up to 50 m and lift upto 1.5 m.	3.5	cum			

Sl. No	Description	Quantity	Unit	Rate (Rs.)		Amount
				In figures	In words	
4	PLAIN CEMENT CONCRETE: Providing and laying cement concrete using 40 mm nominal size graded hard granite stone aggregate obtained from quarry including compaction, finishing top surface to level, curing, cost of form work, etc., complete as per specifications. Mix ratio is specified is for cement : coarse river sand : graded stone aggregate. IN FOUNDATION AND PLINTH/ SUB-BASE TO FLOORS.					
4.1	PCC 1:4:8.	1.5	cum			
5	REINFORCED CEMENT CONCRETE: Providing and laying in position Reinforced Cement concrete using 20mm nominal graded hard granite stone aggregate obtained from approved including mechanical mixing, vibrating, compaction finishing, curing etc; complete as per specifications but excluding the cost form works and steel reinforcement. (Rate includes labor for keeping embedment if any, where required while casting). Mix ratio specified is for cement: Coarse river sand: Graded stone aggregate, UP TO FLOOR FIVE LEVEL. In walls (Any thickness), including attached pilasters, buttresses, plinth and string courses, fillets, columns, pillars, piers, abutments, posts and struts, etc.,					
5.1	RCC 1:1.5:3.	3	cum			
6	STEEL REINFORCEMENT: Steel reinforcement for all RCC items including decoiling, cutting, hooking, bending, cranking, fabricating to required shape, placing in position and tying the system with soft drawn annealed GI binding wire of diameter not less than 1.00mm with 2 strands etc; complete all as per specifications at all heights (binding wire will not be measured for payment).					

Sl. No	Description	Quantity	Unit	Rate (Rs.)		Amount
				In figures	In words	
6.1	Thermo-mechanically Treated (TMT) bars - Fe500.	0.4	MT			
7	COURSED RUBBLE MASONRY: Coursed rubble masonry (first sort) with hard stone in foundation and plinth.					
7.1	Cement mortar 1:6 (1 cement: 6 coarse sand).	6	cum			
8	PLASTERING EXTERNAL SURFACES: Plastering 20mm thick with cement mortar specified below, finished rough including scaffolding, curing, etc; complete for EXTERNAL SURFACES of stone masonry/brick masonry walls sills, jambs, soffits, etc; complete all as per specifications heights upto 10m above ground level, mix specified is for cement: fine sand. NOTE: CM 1:3 OR 1:4 is generally applicable for ceilings and RCC surfaces unless otherwise specified.					
8.1	With CM 1:5.	17	sqm			
9	PAINTING OF EXTERNAL SURFACES: Painting external plastered surfaces with two or more coats of 100% acrylic exterior emulsion paint of approved make and colour (apcolite apex of Asian or weather coat of Berger or equivalent) having protection against fungal growth, flaking, fading, alkali and UV degradation and to give an even shade with required finish including cleaning the surfaces, applying one coat of primer, filling the crevices with approved filler, scaffolding, etc., complete all as per specifications.	17	sqm			

Sl. No	Description	Quantity	Unit	Rate (Rs.)		Amount
				In figures	In words	
10	CENTERING AND SHUTTERING: Providing Rigid and water tight CENTERING AND SHUTTERING using best quality wood/ plywood/ steel forms and shuttering with steel props, acrotubes etc., including strutting, propping, bracing, staging etc., complete for all RCC items fixed in position as required including labour for careful removal of form work etc., complete all as per specifications at all heights. In horizontal/ Vertical/ slanting surfaces.					
10	Columns, pillars, abutments, posts and struts.	26	sqm			
11	FLOOR TILES: Providing and laying vitrified floor tiles in different sizes (thickness to be specified by the manufacturer) with water absorption less than 0.08% and conforming to IS: 15622, of approved make, in all colours and shades, laid on 20mm thick cement mortar 1:4 (1 cement: 4 coarse sand), jointing with grey cement slurry @ 3.3kg/sqm including grouting the joints with white cement and matching pigments etc., complete. Size of tile 600x600mm. Make Kajariya, Rak. Basic rate of tiles =85/Sft	10	sqm			
				Total		

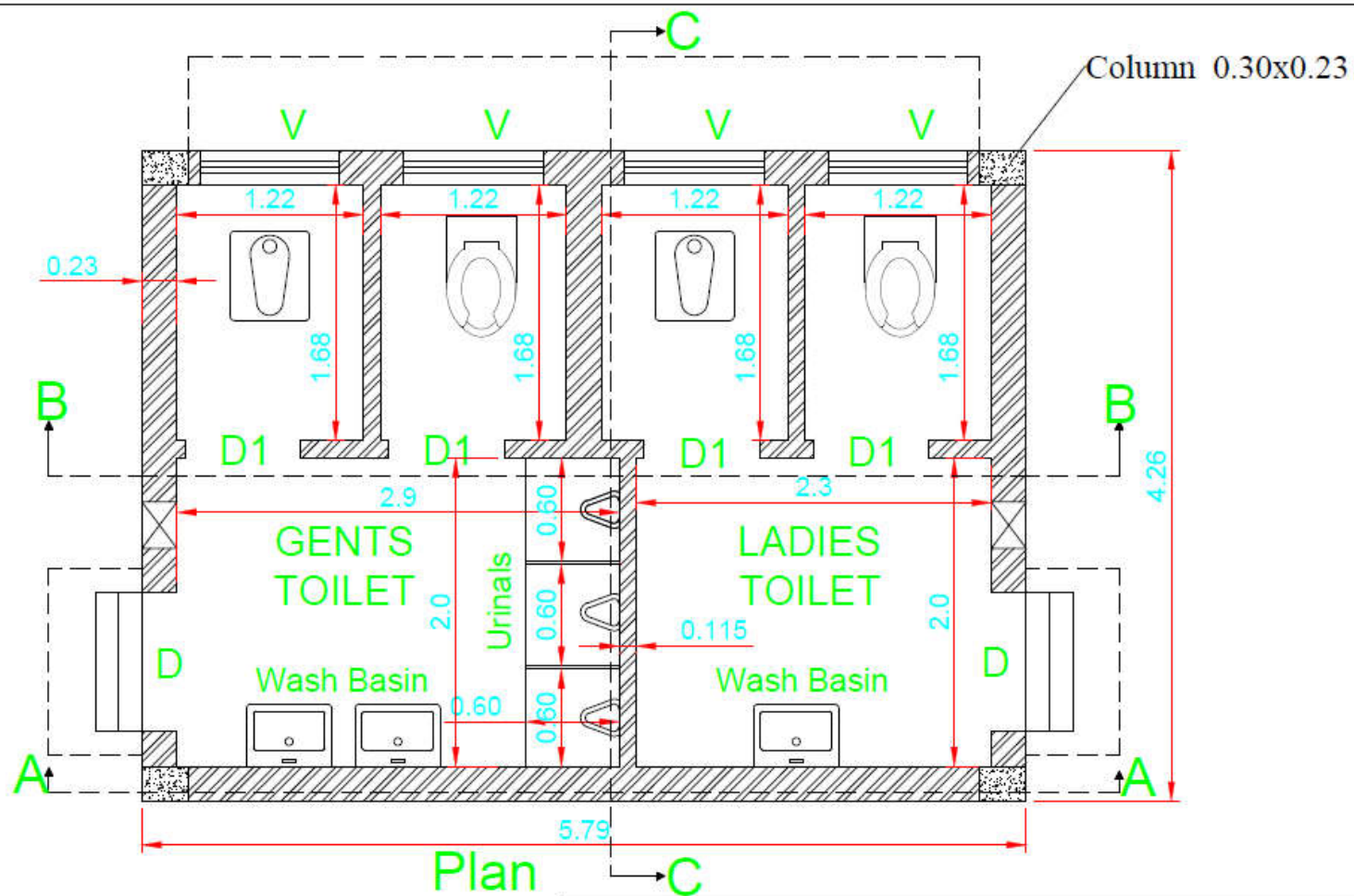
Sl.No	Description	Amount
1	Visitors toilet at VBO Kavalur (A)	
2	Septic tank and soak pit for Visitors Toilet at VBO Kavalur (B)	
3	Extension for existing Parking at VBO Kavalur (C)	
4	Plinth protection around STARS Building at VBO Kavalur (D)	
5	Canteen column repair work at VBO Kavalur (E)	
	Sub Total (A+B+C+D+E)	
	GST% (F)	
	Grand Total (A+B+C+D+E+F)	

(Grand Total amount in words Rs.....)

Date:

Place:

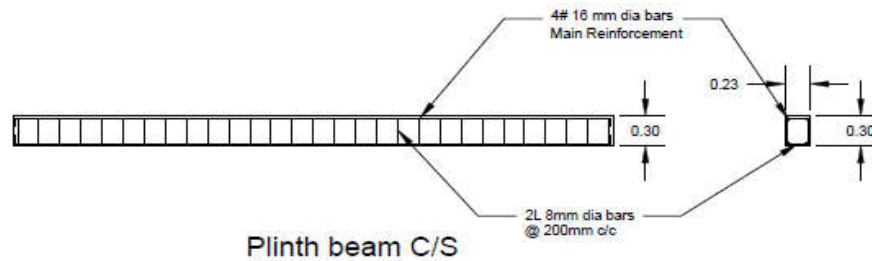
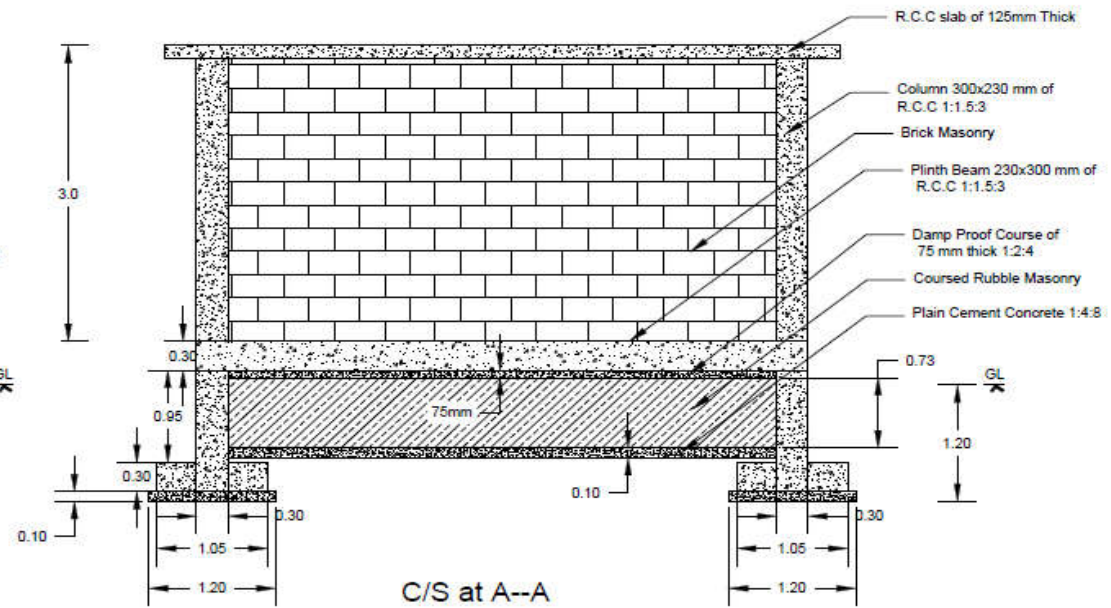
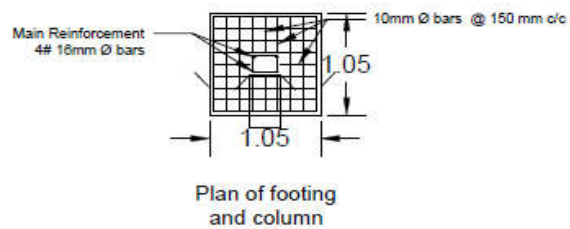
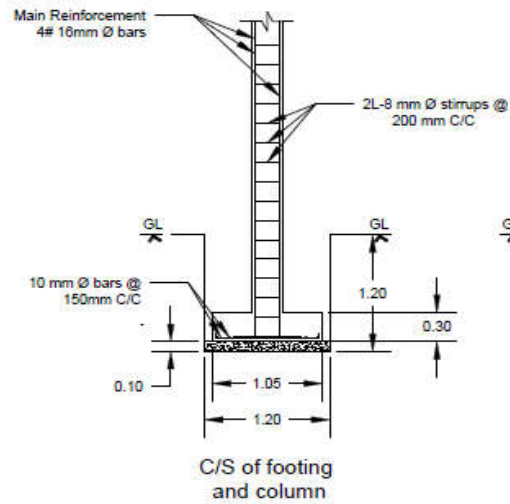
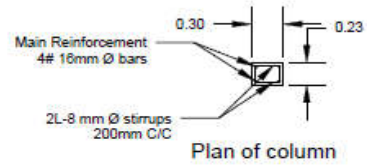
Signature of the contractor with seal



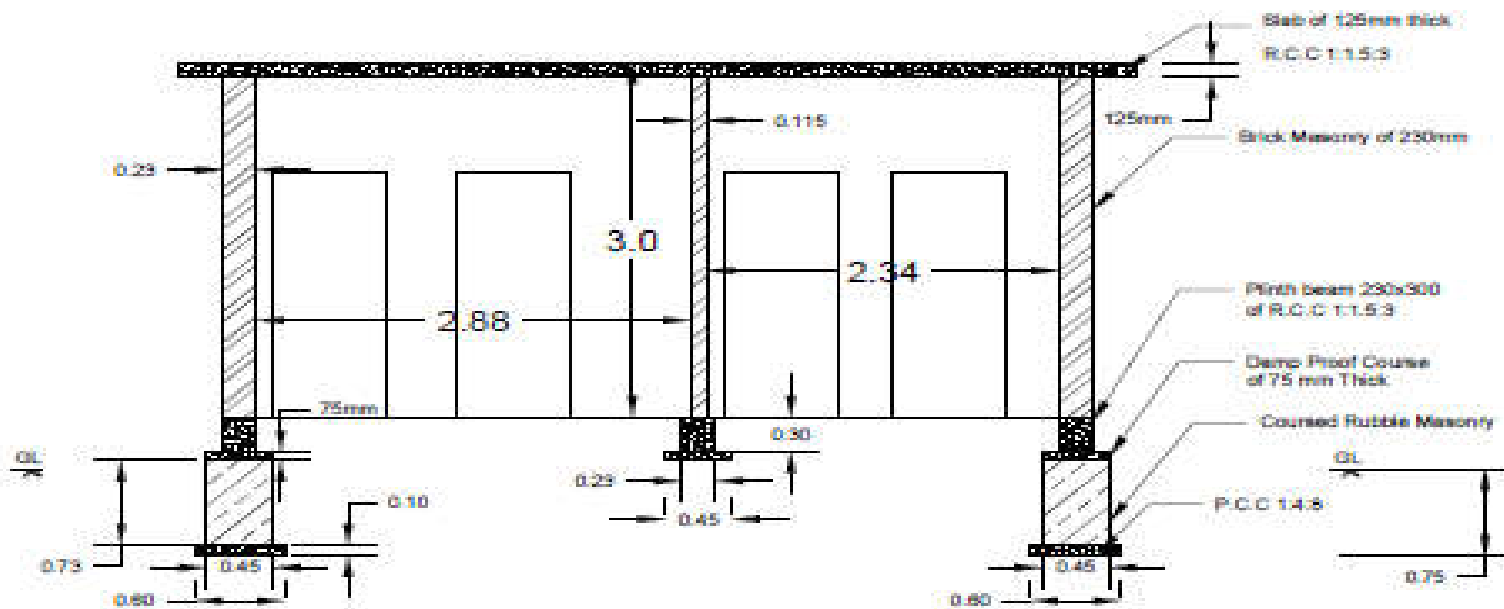
Note:

1. Plinth is 5.7920x4.2680 m.
2. All the Outer walls are 115mm thick.
3. All the Inner walls are 230mm thick.
4. Doors : D = 3 ft. x 7 ft.
D1 = 2.5 ft. x 7 ft.
5. Ventilators : V = 3 ft. x 2 ft.
6. All dimensions are in meters, otherwise mentioned.

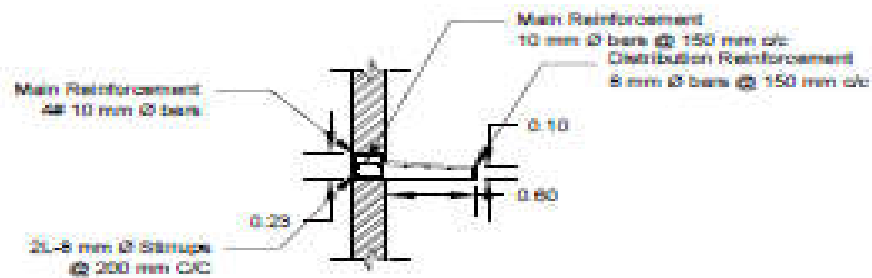
PROJECT:		TITLE: KAVALUR TOILETS	
SCALE:	DR'N	SIZE:	
-	CH'D	A4	
	APP'D	DRG. No:-	
	INDIAN INSTITUTE OF ASTROPHYSICS		SHEET: 01 OF 01
	BANGALORE - 560 034		REV: 00 DATE: -
	(Govt. of India, Ministry of Science & Technology)		



Note :- All Dimensions are in Meter,
otherwise specified.

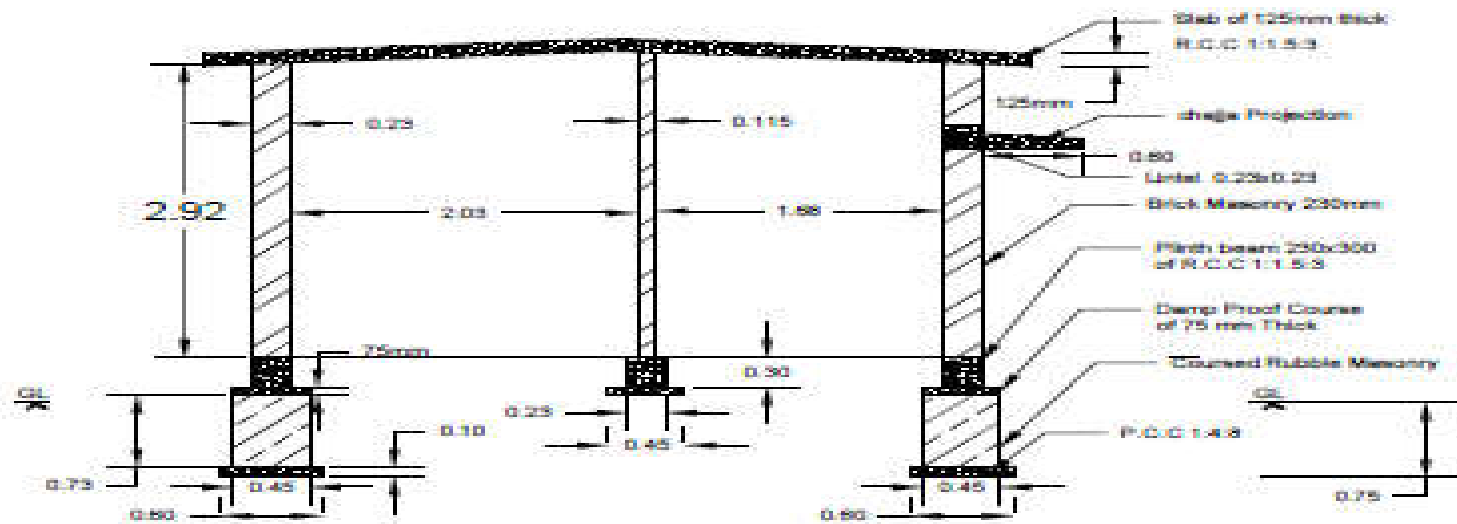


C/S at B-B

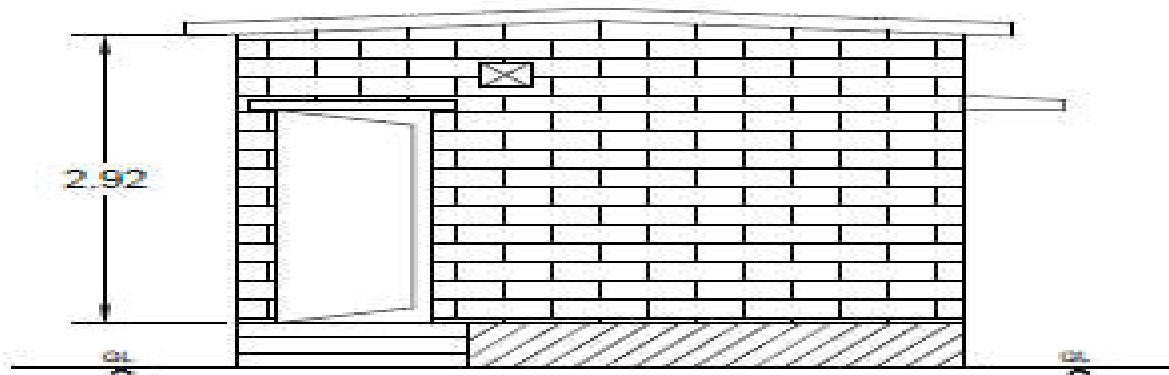


C/S of Lintel

Note :- All Dimensions are in Meter, otherwise specified.



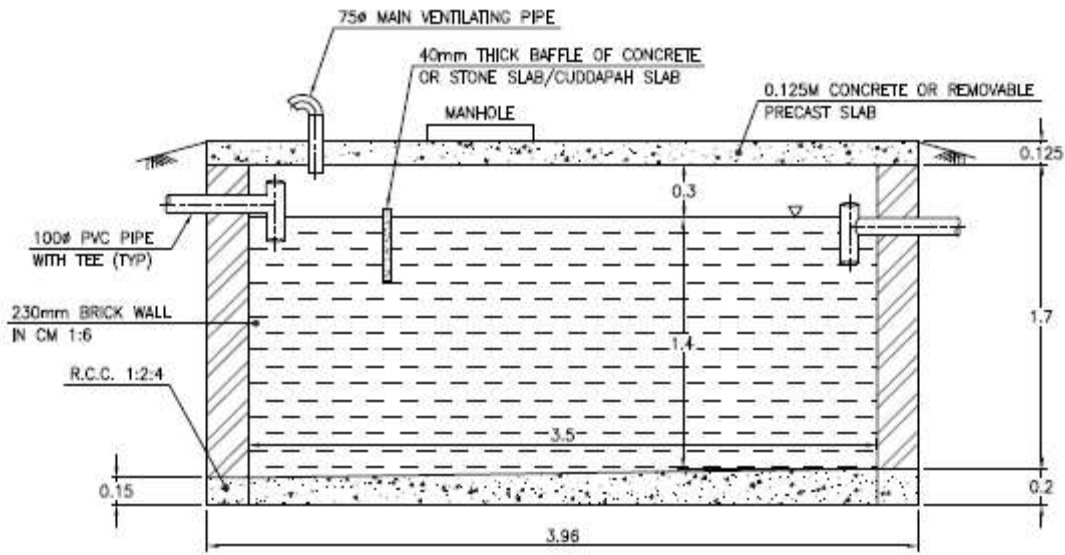
C/S at C-C



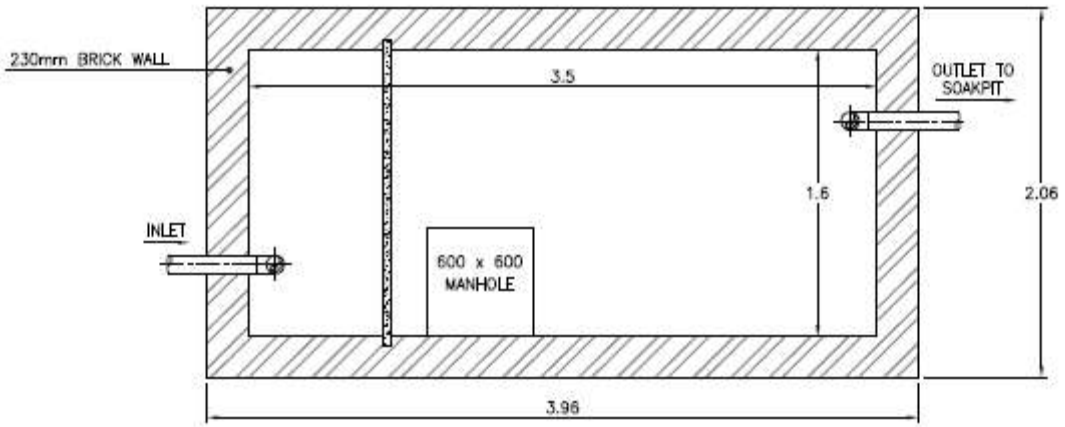
Front Elevation

Note :- All Dimensions are in Meter, otherwise specified.

SEPTIC TANK



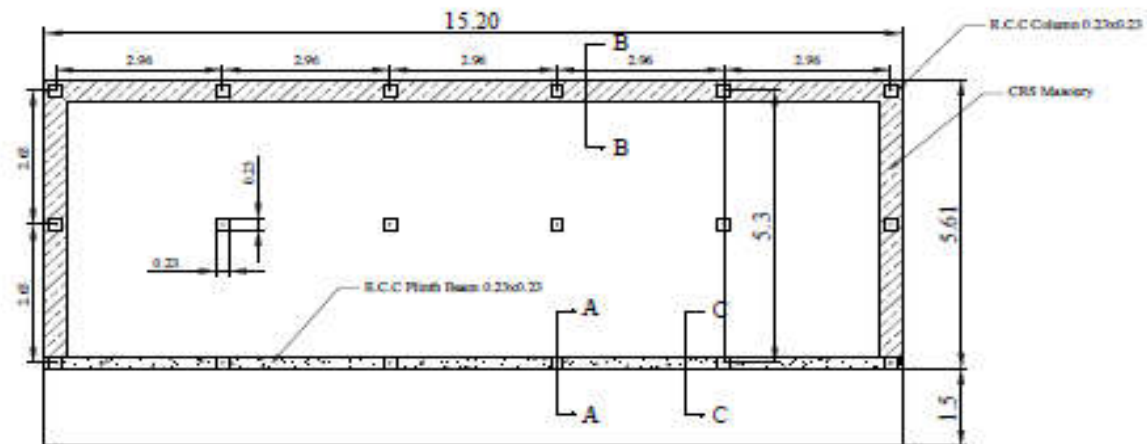
SECTION F-F



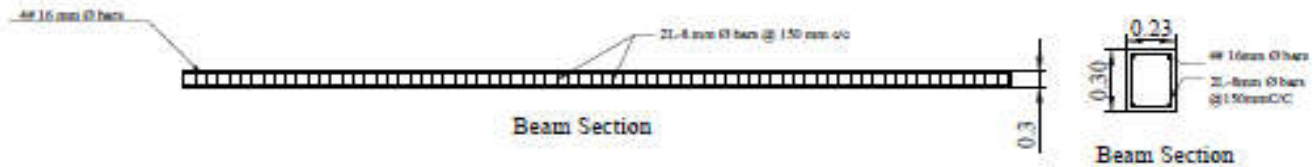
P L A N

NOTE: ALL DIMENSIONS ARE IN METER UNLESS SPECIFIED.

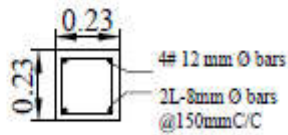
CAR PARKING DRAWING



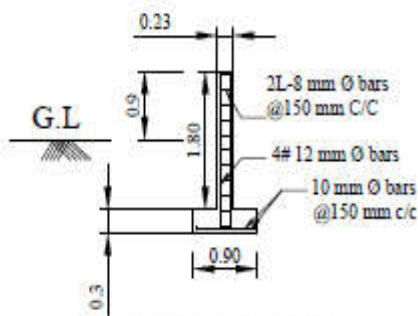
PLAN



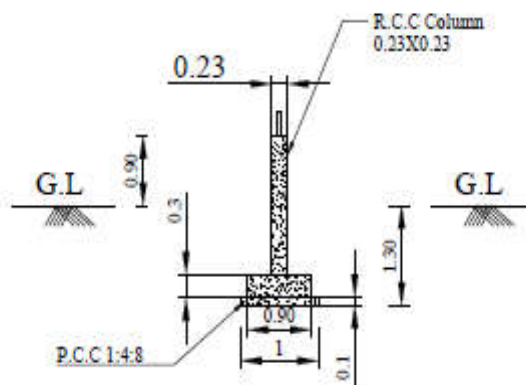
Note :- All Dimensions are in Meter, otherwise mentioned.



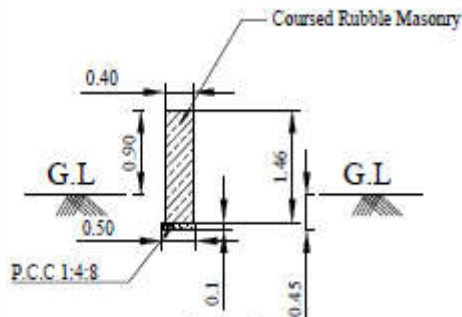
Column Section



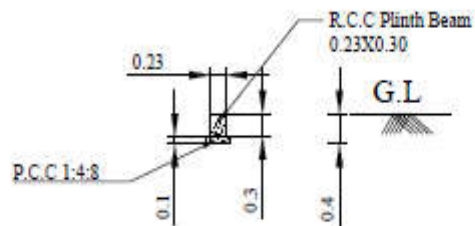
Column Section



Cross Section @A-A



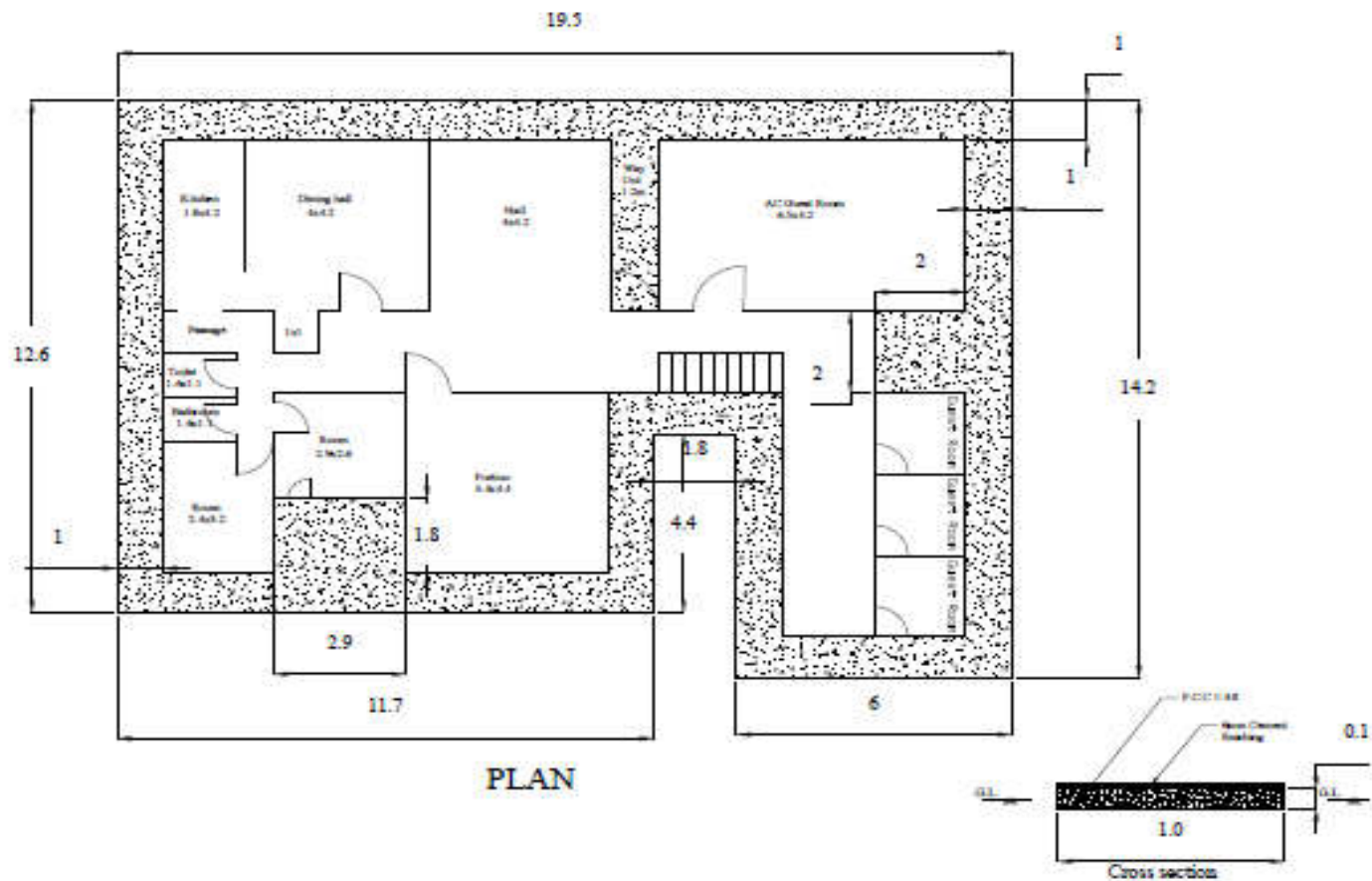
Cross Section @B-B



Cross Section @C-C

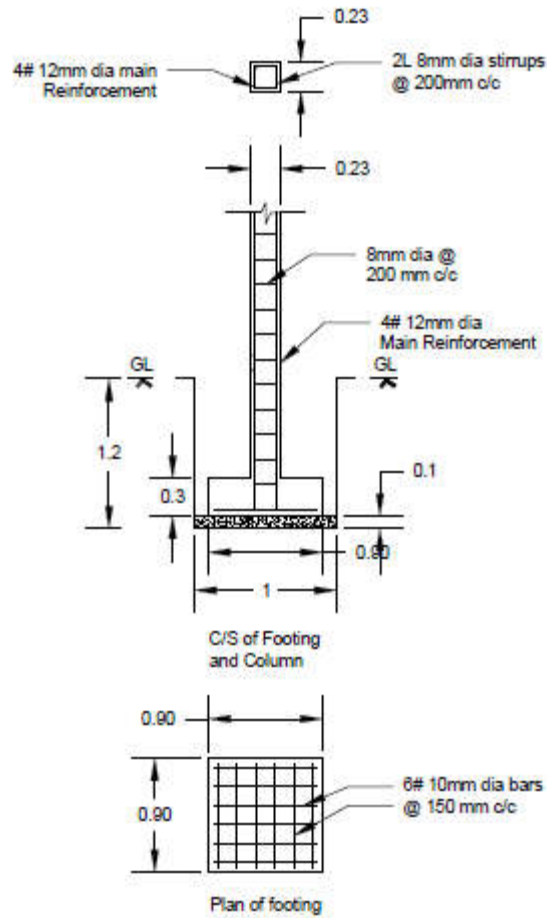
Note :- All Dimensions are in Meter, otherwise mentioned.

Plinth Protection Around STARS BUILDING



Note: All dimensions are in metre

Canteen Column Repair Works at VBO Kavalur



Note :- All Dimensions are in Meter,
otherwise specified.